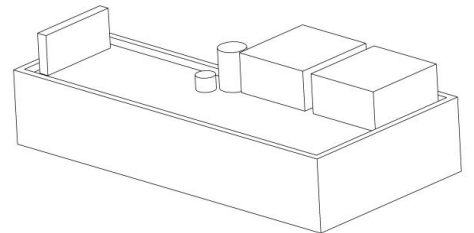
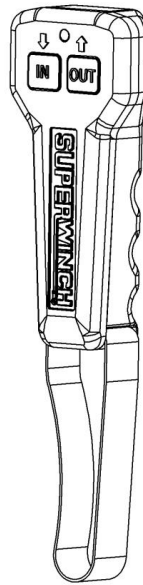




# SX Wireless Remote Replacement Kit



## PART NUMBERS:

2277R: 12V Replacement Wireless Remote

2278R: 24V Replacement Wireless Remote

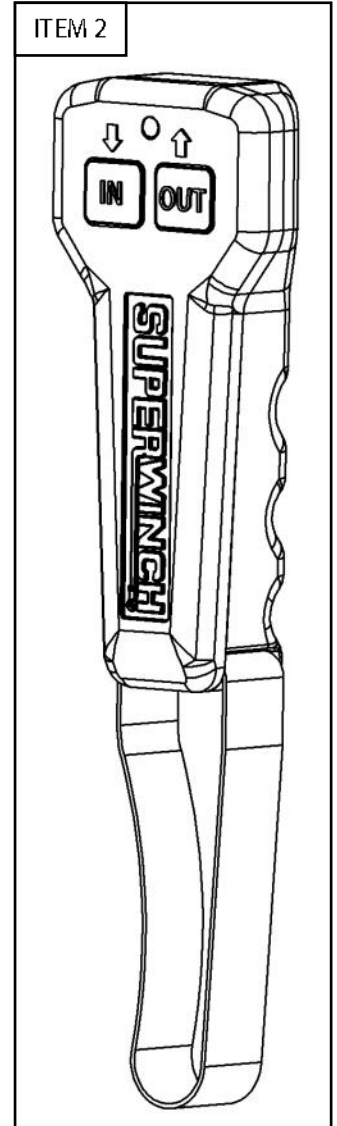
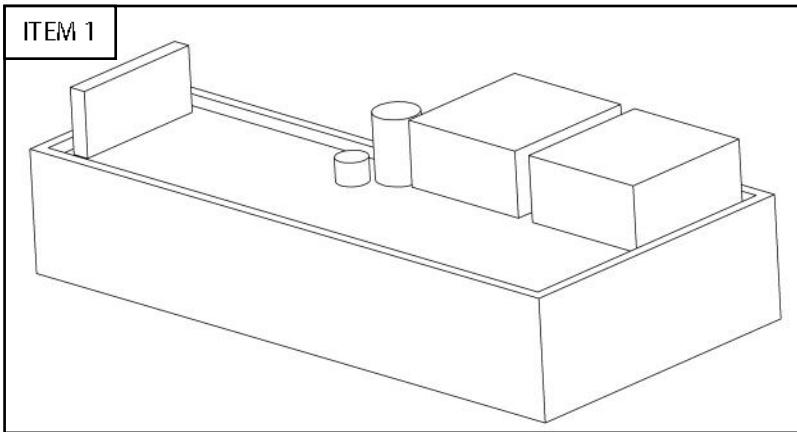


**SAVE THESE  
INSTRUCTIONS**

# CONTENTS

ITEM	QUANTITY	DESCRIPTION
1	1	RECEIVER
2	1	REMOTE
3	1	DOUBLE SIDED TAPE
4	1	PIGTAIL RECEIVER HARNESS

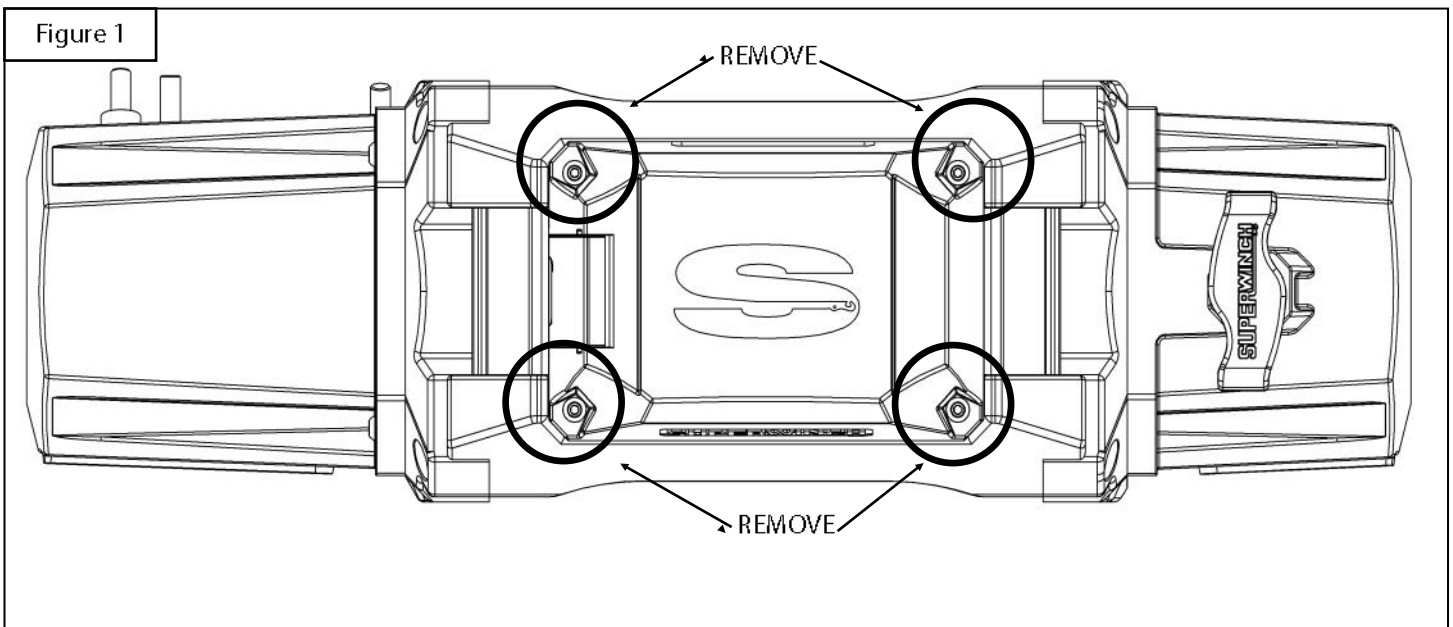
**ANTI-SEIZE LUBRICANT MUST BE USED ON ALL STAINLESS STEEL FASTENERS TO PREVENT THREAD DAMAGE AND GALLING**



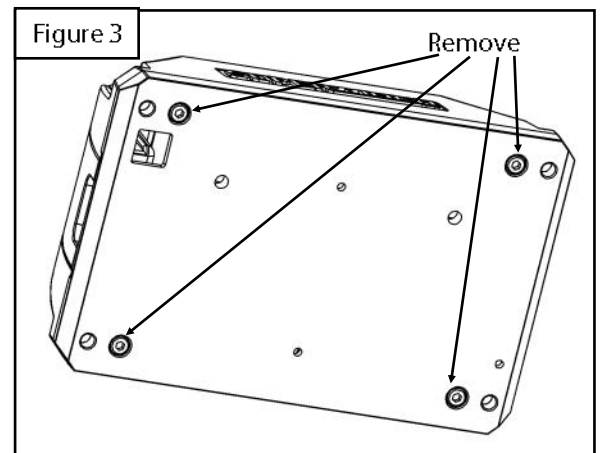
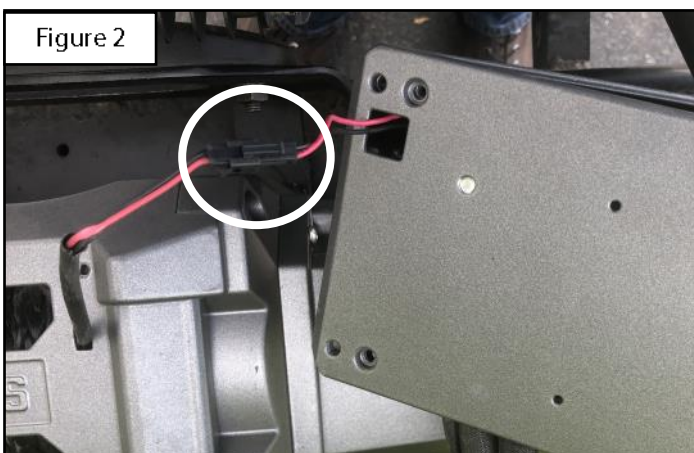
# INSTALLATION INSTRUCTIONS

1. Remove contents from box, verify if all parts listed are present and free from damage. **Failure to identify damage before installation could lead to a rejection of any claim.**
2. Carefully read and understand all instructions before attempting installation. **Caution! Handling +12V/+24V systems without professional experience may occur in electrical shock or damage to the winch. Professional experience is highly recommended.**

3. Disconnect the winch power and ground cables from the battery.
4. Remove the control box by removing the 4 bottom button head screws holding it in place. See **Figure 1**

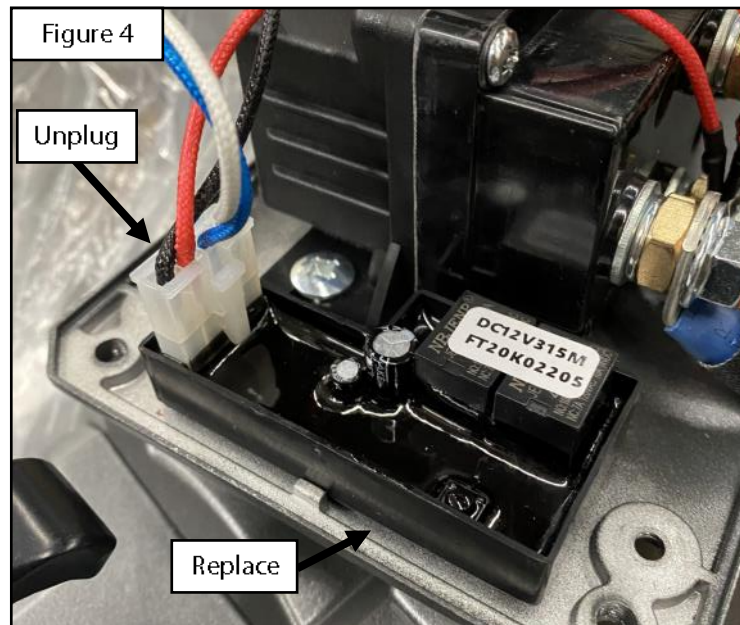


5. Disconnect drum light wiring harness by depressing the black clip and pulling **See Figure 2.**
6. Remove bottom plate from control box by removing the 4 socket head cap screws **See Figure 3.**



## SX WIRELESS REPLACEMENT INSTRUCTIONS

7. Unplug the receiver from the 4 pin connector and remove the old receiver . See **Figure 4**. **Note: Peel off the double sided tape.**
8. Clean the surface of the control box and new receiver with rubbing alcohol.
9. Using supplied double sided tape, install the new receiver in to the control box. Reinstall the plug on the receiver.



10. Plug in the drum light harness to the control box. Reinstall the control box with the same hardware that was removed.
11. Torque M6 hardware to 5-7 ft-lbs. Re-connect the winch power and ground cables to the battery.
12. Installation is now complete.

## SX STEEL CABLE WIRELESS RECEIVER INSTALL INSTRUCTIONS

7. There are 4 wires to connect: (See Figure 5-6)
  - The red wire connects to the +12V/24V stud (Red Cable) connection on the contactor. See Figure 6
  - The black wire connects to ground on contactor (center connector).
  - The blue and white wires connect to the outside connectors on the contactor. These may have to be swapped to engage the correct direction of operation. Test by reconnecting power and clicking the remote in either direction. If the direction of operation matches the direction indicated on the remote, disconnect the winch from the power supply. If the direction of operation does not match the direction indicated on the remote, disconnect power and swap the white and blue receiver wires that you just plugged in.
8. Clean the surface of the control box and supplied receiver with rubbing alcohol.
9. Using supplied double sided tape, install the supplied receiver in to the control box. Install the pigtail plug on the receiver.

Figure 5

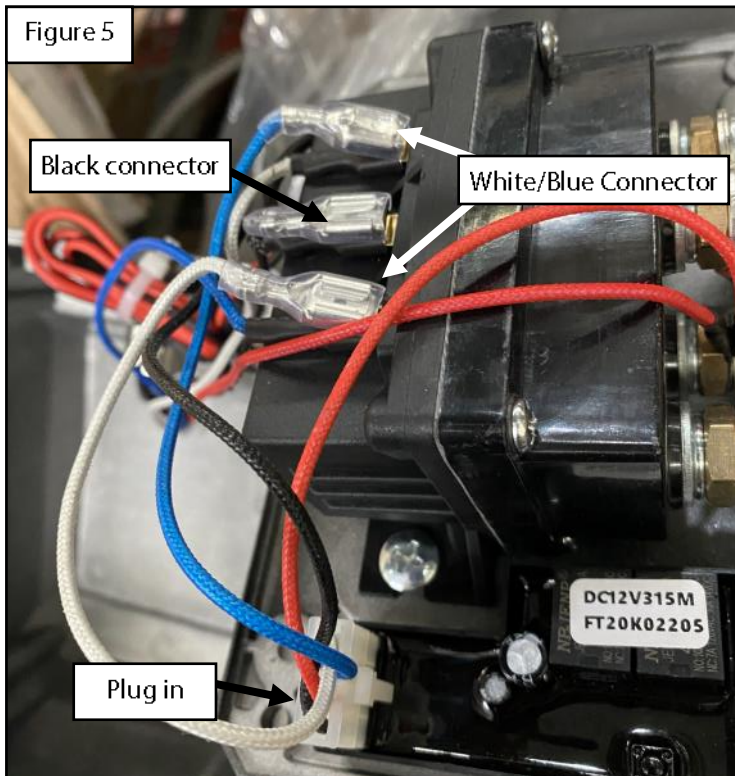
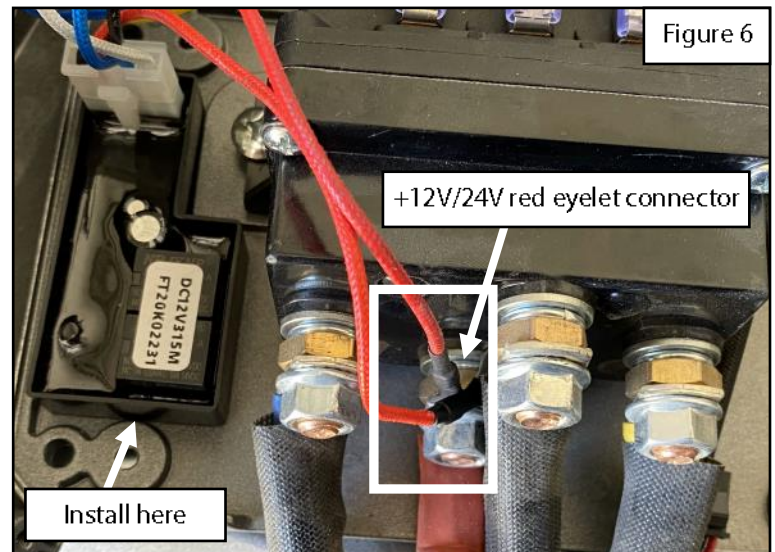
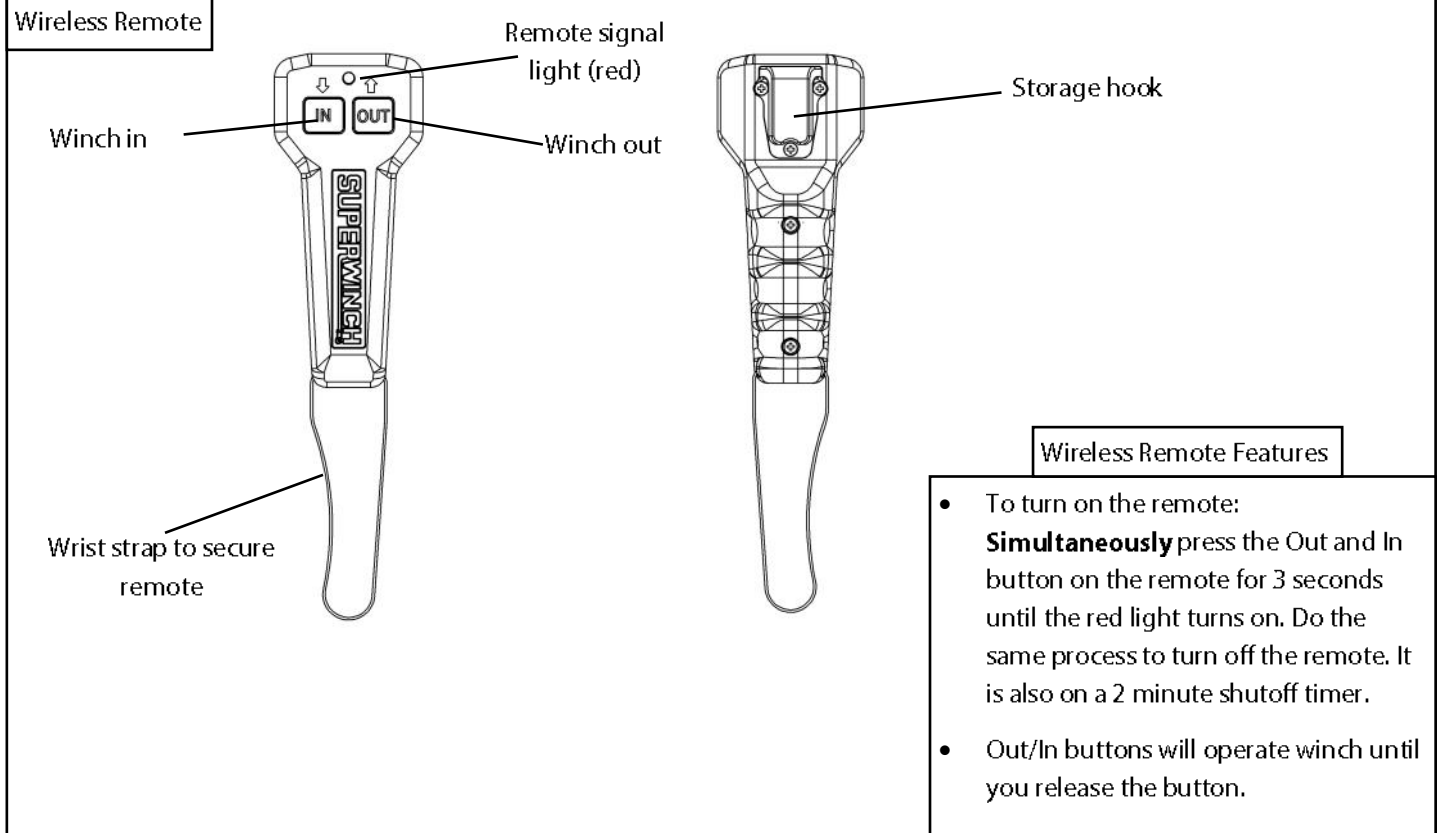


Figure 6



10. Plug in the drum light harness to the control box. Reinstall the control box with the same hardware that was removed.
11. Torque M6 hardware to 5-7 ft-lbs. Re-connect the winch power and ground cables to the battery.
12. Installation is now complete.

# REMOTE FEATURES + OPERATION

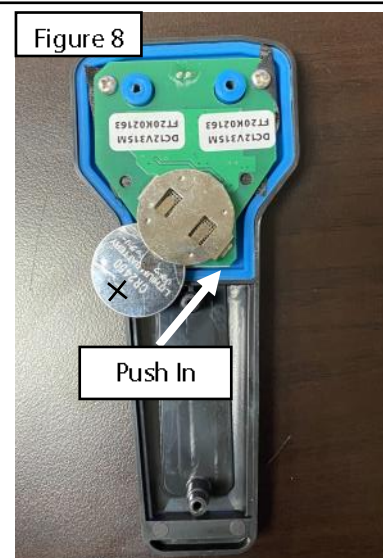


## REMOTE BATTERY REPLACEMENT INSTRUCTIONS

- Remove the 4 screws on the remote shown in **Figure 7**
- Push out the old battery with a plastic-ended tool
- Push in the new battery with the **positive side facing up** as shown in **Figure 8**
- Re-install the screws on the back of the remote



Battery Size:  
CR2450



# WARNING

**Failure to follow these instructions could lead to death, personal injury, and / or property damage.**

**FASTENERS:**

**All SUPERWINCH supplied fasteners must be utilized and installed in accordance with the installation instructions and apply torque to the specifications as defined. DOUBLE CHECK ALL FASTENERS BEFORE INITIAL USE, AND PERIODICALLY IN THE FUTURE TO ENSURE PROPER FUNCTION AND SAFETY.**

**EYE PROTECTION:**

**ALWAYS WEAR SAFETY GLASSES OR GOGGLES DURING THE INSTALLATION PROCESS TO AVOID PERSONAL INJURY.**

**FOR CALIFORNIA RESIDENTS ONLY-PROP 65 WARNING:**

**Some products may contain chemicals such as DEHP, which can cause cancer, birth defects or other reproductive harm. For more info go to [www.p65warnings.ca.gov](http://www.p65warnings.ca.gov)**



For more information on this and other products,  
or to be put in contact with a Superwinch sales  
rep or distributor, call (800) 323- 2031  
or email [info@superwinch.com](mailto:info@superwinch.com)

**SUPERWINCH**  
**320 W. COVINA BLVD.**  
**SAN DIMAS, CA 91773**

© 2019 SUPERWINCH®, Superwinch®, and S Superwinch® (design) are registered trademarks of Superwinch Inc. in the United States and/or other countries.