

INSTALLATION INSTRUCTIONS

OUTLAW NERF DROP STEPS



APPLICATION:

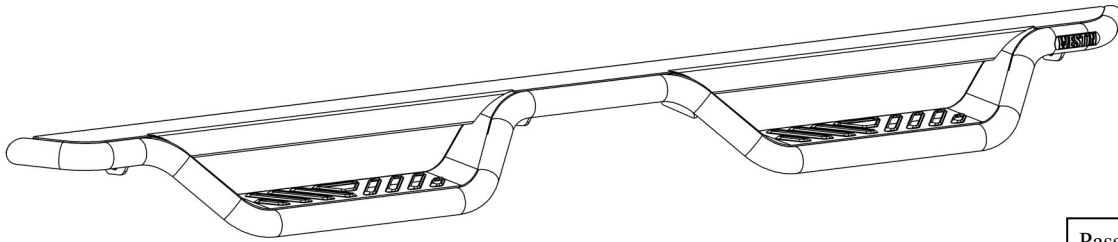
2015-2022 Chevrolet/GMC Colorado/Canyon Crew Cab

PART NUMBER:

20-14015

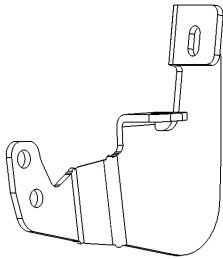
CONTENT			
ITEM	QUANTITY	DESCRIPTION	TOOLS NEEDED
1	2	OUTLAW STEP BAR ASSEMBLY (1 DRIVER, 1 PASSENGER)	13MM SOCKET
2	4	MOUNTING BRACKET A	13MM WRENCH
3	4	MOUNTING BRACKET B	15MM SOCKET
4	16	M8 U-NUT CLIP	15MM WRENCH
5	16	M8 HEX HEAD BOLT	RATCHET
6	16	M8 SPLIT LOCK WASHER	TORQUE WRENCH
7	16	M8 FLAT WASHER	SOCKET EXT.
8	16	M10 SERRATED FLANGE BOLT	
9	16	M10 SERRATED FLANGE HEX NUT	

ANTI-SEIZE LUBRICANT MUST BE USED ON ALL STAINLESS STEEL FASTENERS TO PREVENT THREAD DAMAGE AND GALLING

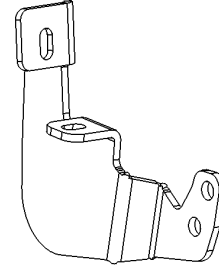


ITEM 1

Passenger Side Opposite



ITEM 2

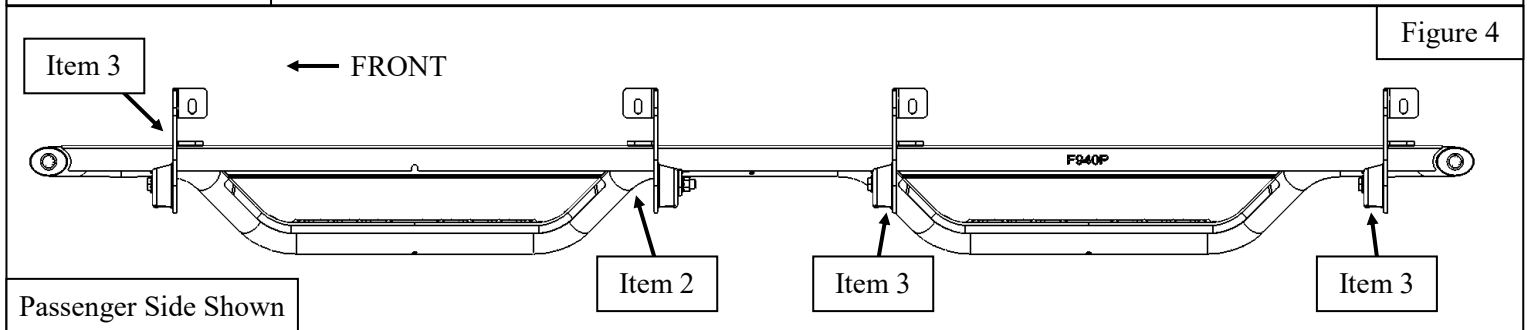
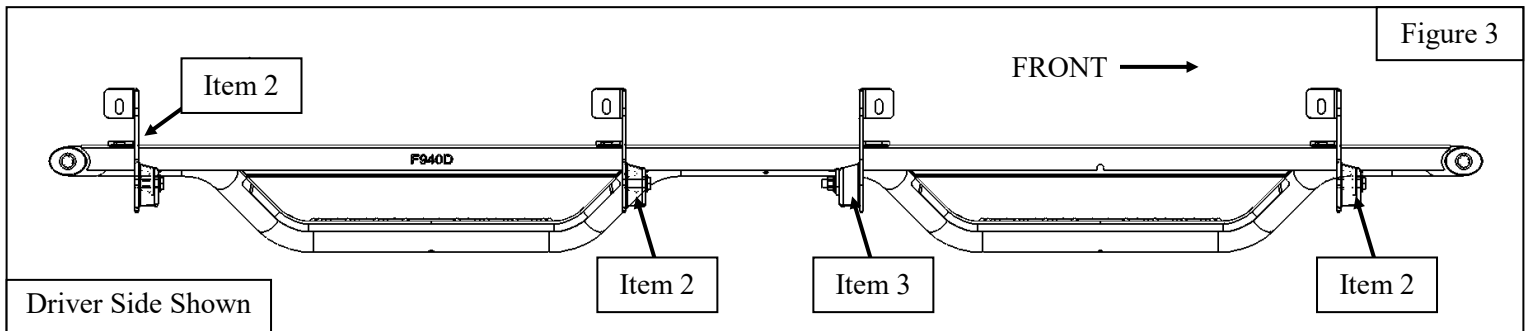
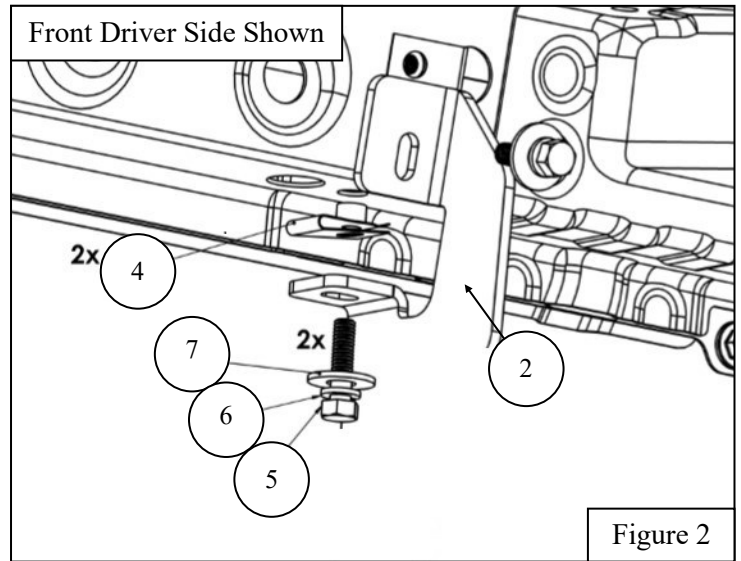
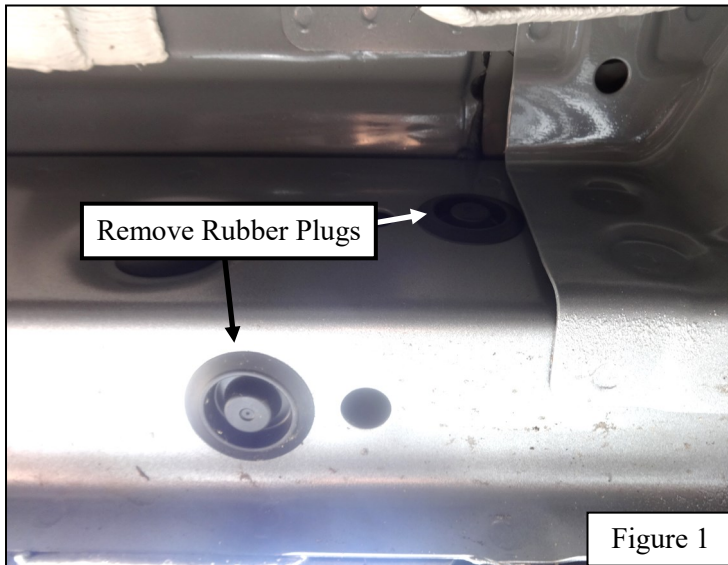


ITEM 3

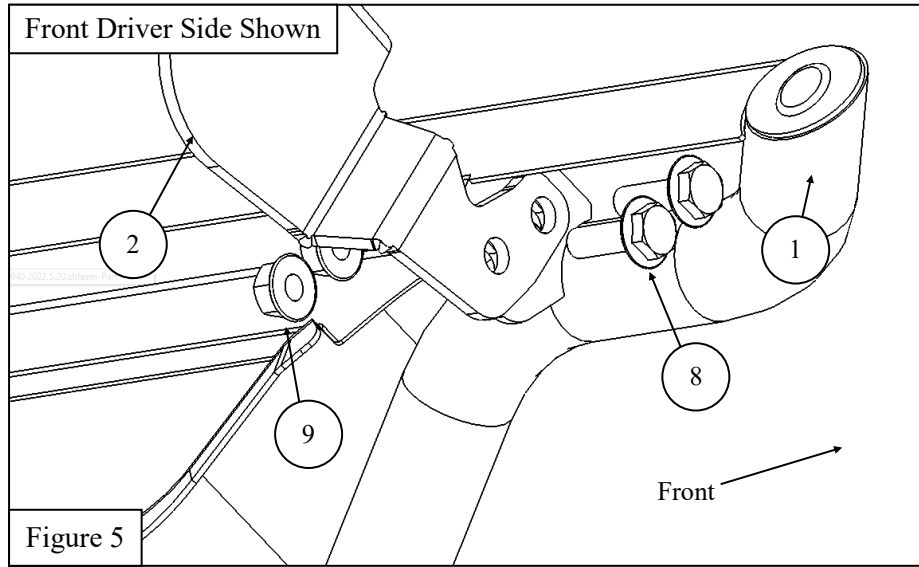
PROCEDURE

1. Remove contents from box, verify if all parts listed are present and free from damage.
Carefully read and understand all instructions before attempting installation.
Failure to identify damage before installation could lead to a rejection of any claim.

2. Locate and remove the rubber plugs on the rocker panel at each mounting location. See **Figure 1** for reference.
3. Locate (1) Mounting Bracket A (Item 3) and loosely secure it to the rocker panel using the provided M8 hardware. See **Figure 2** for reference. **Note:** If threaded holes are not on the vehicles' rocker panel, remove the rubber plugs at each mounting location and insert M8 nut clips.
4. Repeat **Step 3** for every other bracket mounting location. See **Figures 3 & 4** for bracket orientation and locations.



5. For the Outlaw Nerf Drop Step installation, use the supplied M10 hardware to secure the assembly to the previously installed mounting brackets. See **Figure 5** for reference.
6. Align and adjust the drop step assemblies and mounting brackets as necessary. Fully tighten and torque all hardware as specified: M8 hardware to 15-18 ft-lbs., M10 hardware to 35-38 ft-lbs.



INSTALLATION COMPLETE



Care Instructions

- REGULAR WAXING IS RECOMMENDED. DO NOT USE ANY TYPE OF POLISH OR WAX THAT MAY CONTAIN ABRASIVES.
- STAINLESS STEEL PRODUCTS CAN BE CLEANED WITH MILD SOAP AND WATER. STAINLESS STEEL POLISH SHOULD BE USED TO POLISH SMALL SCRATCHES..
- GLOSS BLACK FINISHES SHOULD BE CLEANED WITH MILD SOAP AND WATER.



WARNING



Failure to follow these instructions could lead to death, personal injury, and / or property damage.

Failure to follow these instructions could lead to death, personal injury, and / or property damage.

FASTENERS:

All Westin supplied fasteners must be utilized and installed in accordance with the installation instructions and apply torque to the specifications as defined. **DOUBLE CHECK ALL FASTENERS BEFORE INITIAL USE, AND PERIODICALLY IN THE FUTURE TO ENSURE PROPER FUNCTION AND SAFETY.**

DRILLING:

Most Westin products do not require drilling for installation. If drilling is defined as required, use caution when drilling a vehicle. **FAILURE TO REVIEW AN AREA TO BE DRILLED MAY RESULT IN PERSONAL INJURY AND/OR INJURY TO OTHERS AS WELL AS VEHICLE DAMAGE.**

EYE PROTECTION:

ALWAYS WEAR SAFETY GLASSES OR GOGGLES DURING THE INSTALLATION PROCESS TO AVOID PERSONAL INJURY.

MAXIMUM TOWING/CARRYING CAPACITY: (if applicable)

The Westin Receiver Hitches will have a visible tow rating label affixed directly on the product. User should never exceed the vehicle manufacturers maximum tow and weight rating regardless of the capacity of the hitch. **FAILURE TO FOLLOW THESE GUIDELINES WILL VOID THE WESTIN WARRANTY AND MAY RESULT IN PERSONAL INJURY AND/OR INJURY TO OTHERS AS WELL AS VEHICLE DAMAGE.**

FOR CALIFORNIA RESIDENTS ONLY-PROP 65 WARNING:

Some products may contain chemicals such as DEHP, which can cause cancer, birth defects or other reproductive harm. For more info go to www.p65warnings.ca.gov



Westin Automotive Products, Inc.
320 W. Covina Blvd
San Dimas, Ca. 91773