

# INSTALLATION INSTRUCTIONS

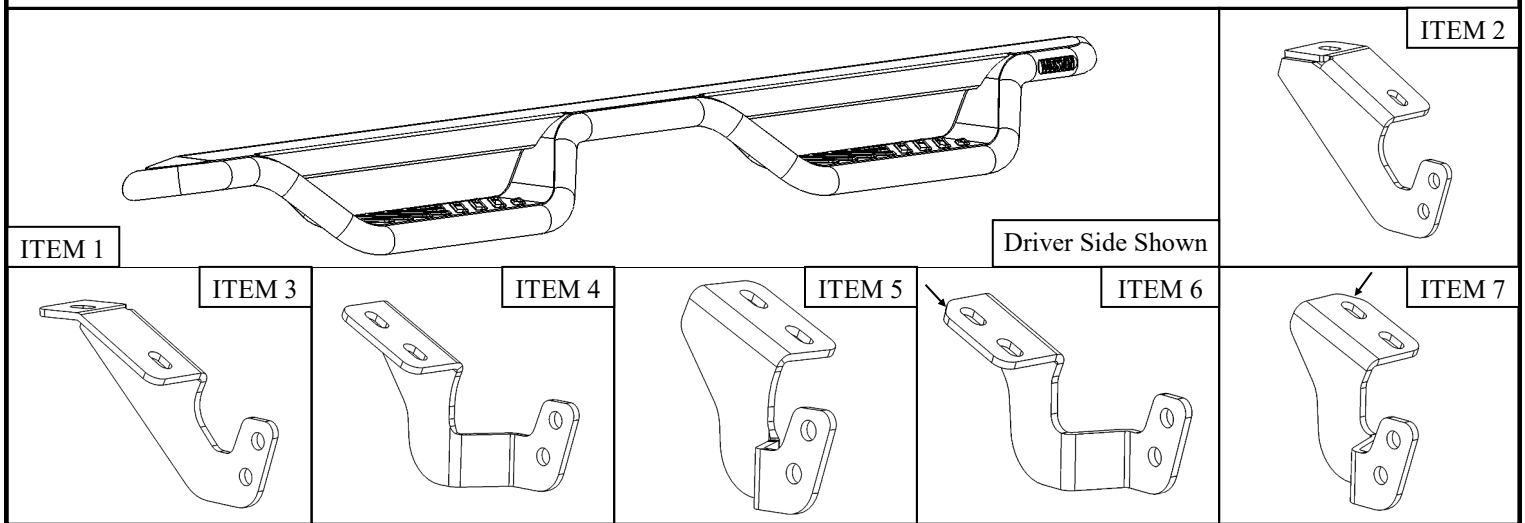
## OUTLAW NERF DROP STEPS



**APPLICATION:**  
Toyota Tundra Double Cab 2007-2021  
**PART NUMBER:**  
20-13245

CONTENT			
ITEM	QUANTITY	DESCRIPTION	TOOLS NEEDED
1	2	OUTLAW STEP BAR ASSEMBLY (1 DRIVER, 1 PASSENGER)	13MM SOCKET
2	1	FRONT DRIVER SIDE MOUNTING BRACKET	13MM WRENCH
3	1	FRONT PASSENGER SIDE MOUNTING BRACKET	15MM SOCKET
4	1	CENTER DRIVER SIDE MOUNTING BRACKET	15MM WRENCH
5	1	CENTER PASSENGER SIDE MOUNTING BRACKET	RATCHET
6	1	REAR DRIVER SIDE MOUNTING BRACKET	TORQUE WRENCH
7	1	REAR PASSENGER SIDE MOUNTING BRACKET	
8	12	M8 HEX HEAD BOLT	
9	12	M8 SPLIT LOCK WASHER	
10	12	M8 FLAT WASHER	
11	12	M10 SERRATED FLANGE HEX HEAD BOLT	
12	12	M10 SERRATED FLANGE HEX NUT	

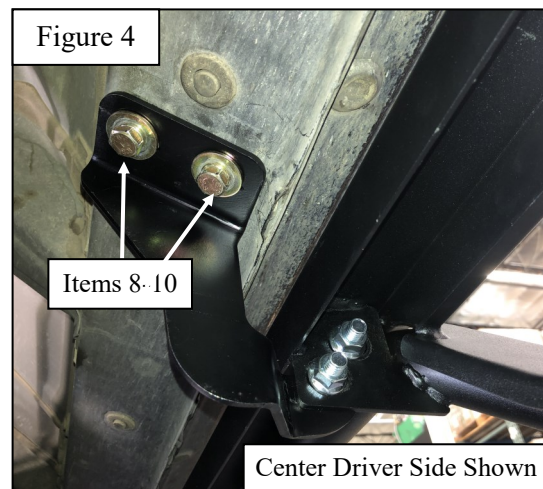
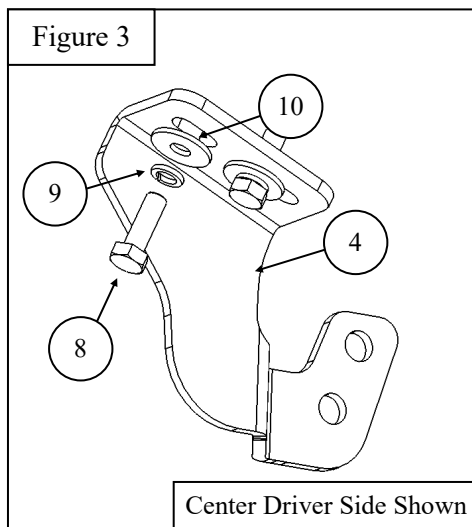
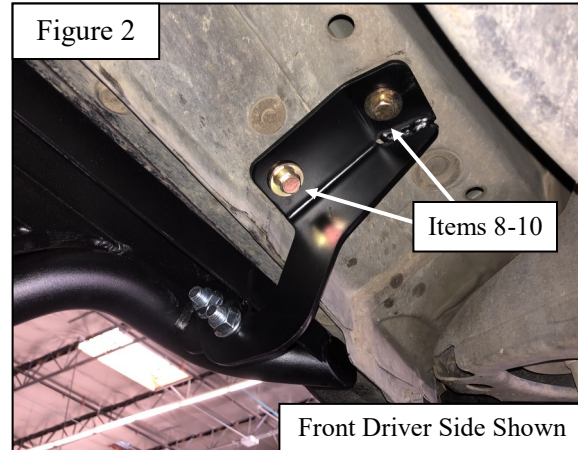
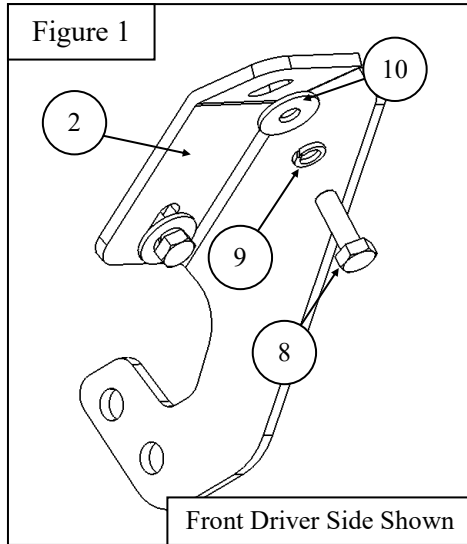
**ANTI-SEIZE LUBRICANT MUST BE USED ON ALL STAINLESS STEEL FASTENERS TO PREVENT THREAD DAMAGE AND GALLING**



### PROCEDURE

1. Remove contents from box, verify if all parts listed are present and free from damage.  
Carefully read and understand all instructions before attempting installation.  
**Failure to identify damage before installation could lead to a rejection of any claim.**

2. Locate the driver side mounting locations with the factory threaded holes. They will either have screws or caps installed from the factory. **Note:** *Factory screws will not be reused.*
3. Locate (1) Front Driver's Side Mounting Bracket (item 2) and loosely secure it to the front mounting location on the rocker panel using (2) M8 hex head cap screws, (2) M8 split lock washers, and (2) M8 flat washers (Items 8-10). See **Figures 1 & 2** for reference.
4. Locate the Driver's Side Center and Rear Mounting Bracket (Items 4 & 6) and loosely secure them to their corresponding mounting locations on the rocker panel using the provided M8 hardware (items 8-10). See **Figures 3 & 4** for reference.
5. Repeat **Steps 2-4** for the passenger side mounting locations. **Note:** *See Figures 6 & 7 for the correct bracket orientation.*



6. With all of the Mounting Brackets loosely secured to their corresponding locations, install the Driver's Side Outlaw Step Bar Assembly (item 1) using the supplied M10 hardware (items 11 & 12). See **Figure 5** for reference.
7. Repeat **Step 7** for the passenger side Outlaw Step Bar Assembly.
8. Align and adjust the steps bars as needed. Tighten and torque all hardware as specified: M8 hardware to 15-18 ft-lbs, M10 hardware to 35-38 ft-lbs.

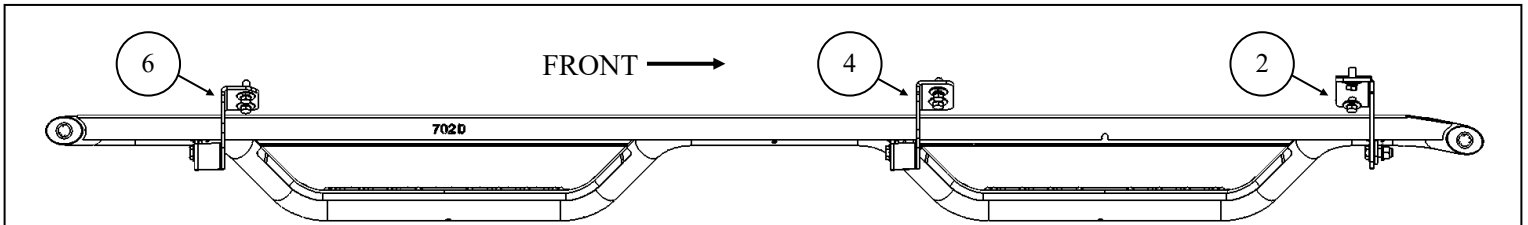
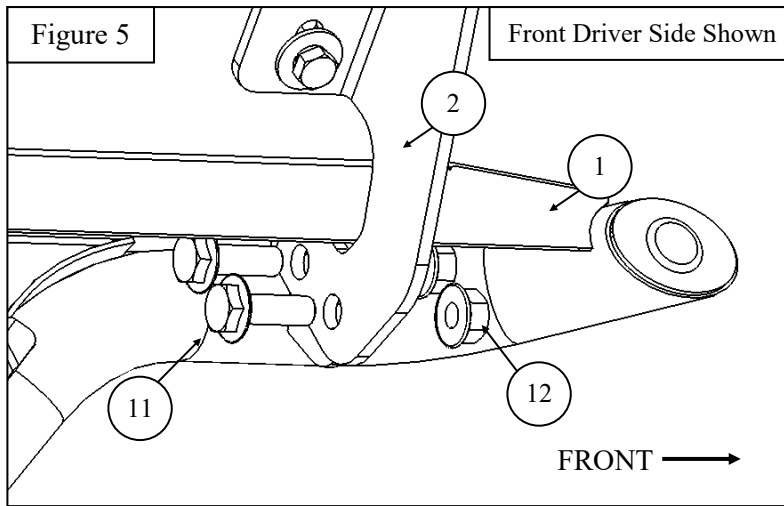


Figure 6

Driver Side Shown

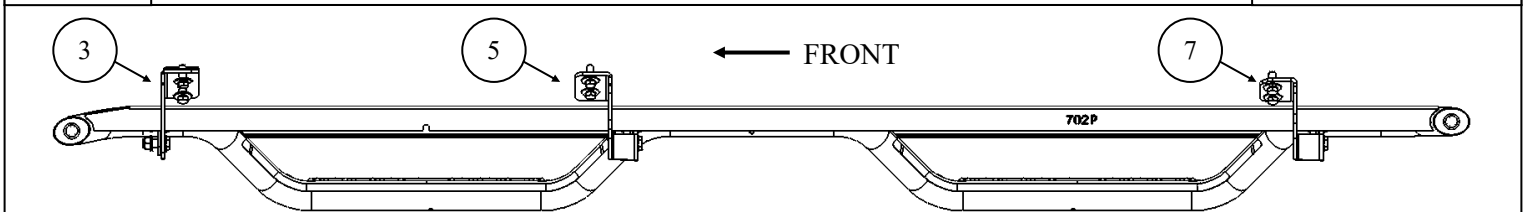


Figure 7

Passenger Side Shown

**INSTALLATION COMPLETE**



**CARE INSTRUCTIONS**

- REGULAR WAXING IS RECOMMENDED. DO NOT USE ANY TYPE OF POLISH OR WAX THAT MAY CONTAIN ABRASIVES.
- STAINLESS STEEL PRODUCTS CAN BE CLEANED WITH MILD SOAP AND WATER. STAINLESS STEEL POLISH SHOULD BE USED TO POLISH SMALL SCRATCHES.
- GLOSS BLACK FINISHES SHOULD BE CLEANED WITH MILD SOAP AND WATER.

**WESTIN**

Westin Automotive Products, Inc.  
320 W. Covina Blvd  
San Dimas, Ca. 91773

Thank you for choosing Westin products  
for additional installation assistance please call  
Customer Service (800) 793-7846  
[www.westinautomotive.com](http://www.westinautomotive.com)



## WARNING



Failure to follow these instructions could lead to death, personal injury, and / or property damage.

Failure to follow these instructions could lead to death, personal injury, and / or property damage.

### FASTENERS:

All Westin supplied fasteners must be utilized and installed in accordance with the installation instructions and apply torque to the specifications as defined. **DOUBLE CHECK ALL FASTENERS BEFORE INITIAL USE, AND PERIODICALLY IN THE FUTURE TO ENSURE PROPER FUNCTION AND SAFETY.**

### DRILLING:

Most Westin products do not require drilling for installation. If drilling is defined as required, use caution when drilling a vehicle. **FAILURE TO REVIEW AN AREA TO BE DRILLED MAY RESULT IN PERSONAL INJURY AND/OR INJURY TO OTHERS AS WELL AS VEHICLE DAMAGE.**

### EYE PROTECTION:

**ALWAYS WEAR SAFETY GLASSES OR GOGGLES DURING THE INSTALLATION PROCESS TO AVOID PERSONAL INJURY.**

### MAXIMUM TOWING/CARRYING CAPACITY: (if applicable)

The Westin Receiver Hitches will have a visible tow rating label affixed directly on the product. User should never exceed the vehicle manufacturers maximum tow and weight rating regardless of the capacity of the hitch. **FAILURE TO FOLLOW THESE GUIDELINES WILL VOID THE WESTIN WARRANTY AND MAY RESULT IN PERSONAL INJURY AND/OR INJURY TO OTHERS AS WELL AS VEHICLE DAMAGE.**

### FOR CALIFORNIA RESIDENTS ONLY-PROP 65 WARNING:

Some products may contain chemicals such as DEHP, which can cause cancer, birth defects or other reproductive harm. For more info go to [www.p65warnings.ca.gov](http://www.p65warnings.ca.gov)



Westin Automotive Products, Inc.  
320 W. Covina Blvd  
San Dimas, Ca. 91773