

INSTALLATION INSTRUCTIONS

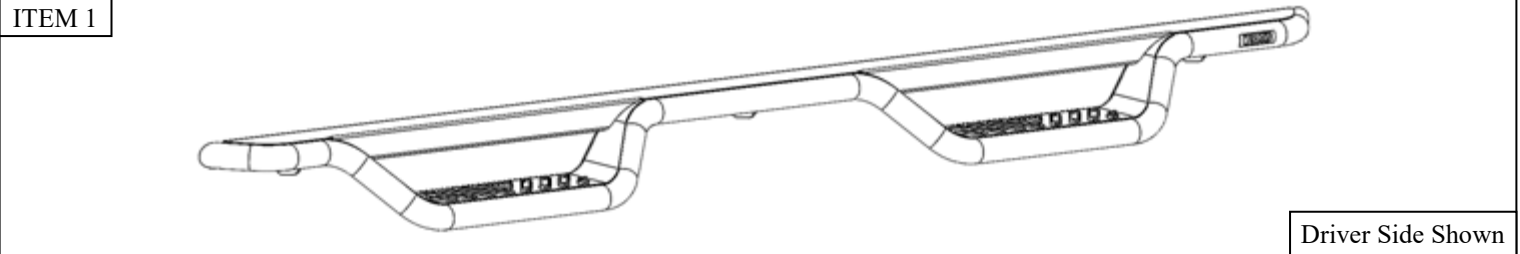
OUTLAW DROP NERF STEP BARS



APPLICATION:
1999-2016 Ford F-250/350/450/550 Crew Cab
PART NUMBER:
20-11335

CONTENT			
ITEM	QUANTITY	DESCRIPTION	TOOLS NEEDED
1	2	OUTLAW STEP BAR ASSEMBLY (1 DRIVER, 1 PASSENGER)	13MM SOCKET
2	3	DRIVER SIDE MOUNTING BRACKET	13MM WRENCH
3	3	PASSENGER SIDE MOUNTING BRACKET	15MM SOCKET
4	2	FRONT SPACER PLATE	15MM WRENCH
5	10	M8 EXTRUDED U-NUT (YELLOW ZINC)	RATCHET
6	10	M8 HEX HEAD BOLT (YELLOW ZINC)	TORQUE WRENCH
7	10	M8 SPLIT LOCK WASHER (YELLOW ZINC)	
8	10	M8 FLAT WASHER (YELLOW ZINC)	
9	12	M10 SERRATED FLANGE BOLT (YELLOW ZINC)	
10	12	M10 SERRATED FLANGE NUT (YELLOW ZINC)	
11	12	M8 HEX NUT (BLACK ZINC)	
12	12	M8 BUTTON HEAD BOLT (BLACK ZINC)	
13	12	M8 SPLIT LOCK WASHER (BLACK ZINC)	
14	24	M8 FLAT WASHER (BLACK ZINC)	

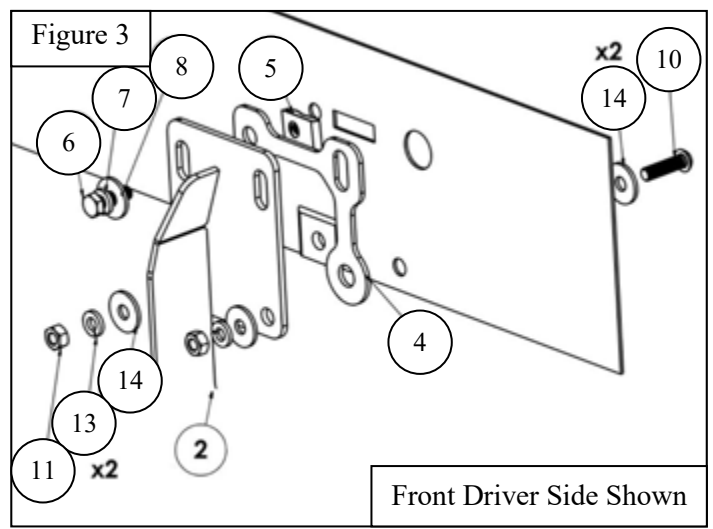
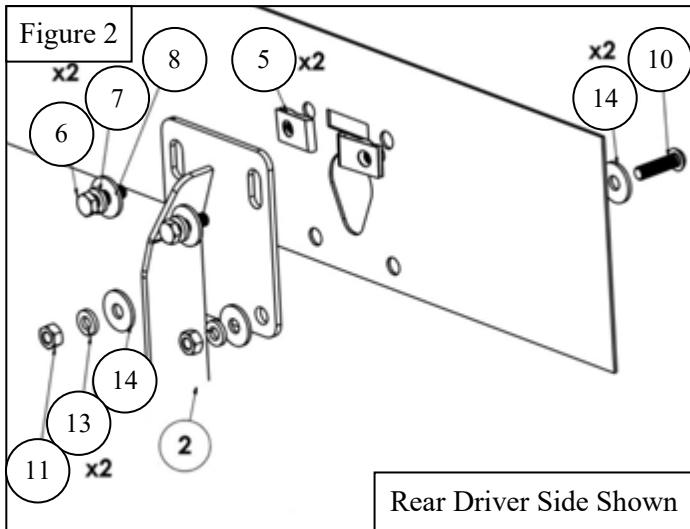
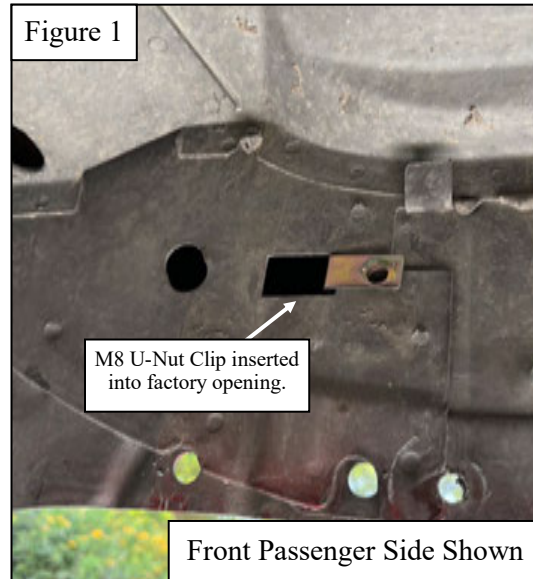
ANTI-SEIZE LUBRICANT MUST BE USED ON ALL STAINLESS STEEL FASTENERS TO PREVENT THREAD DAMAGE AND GALLING

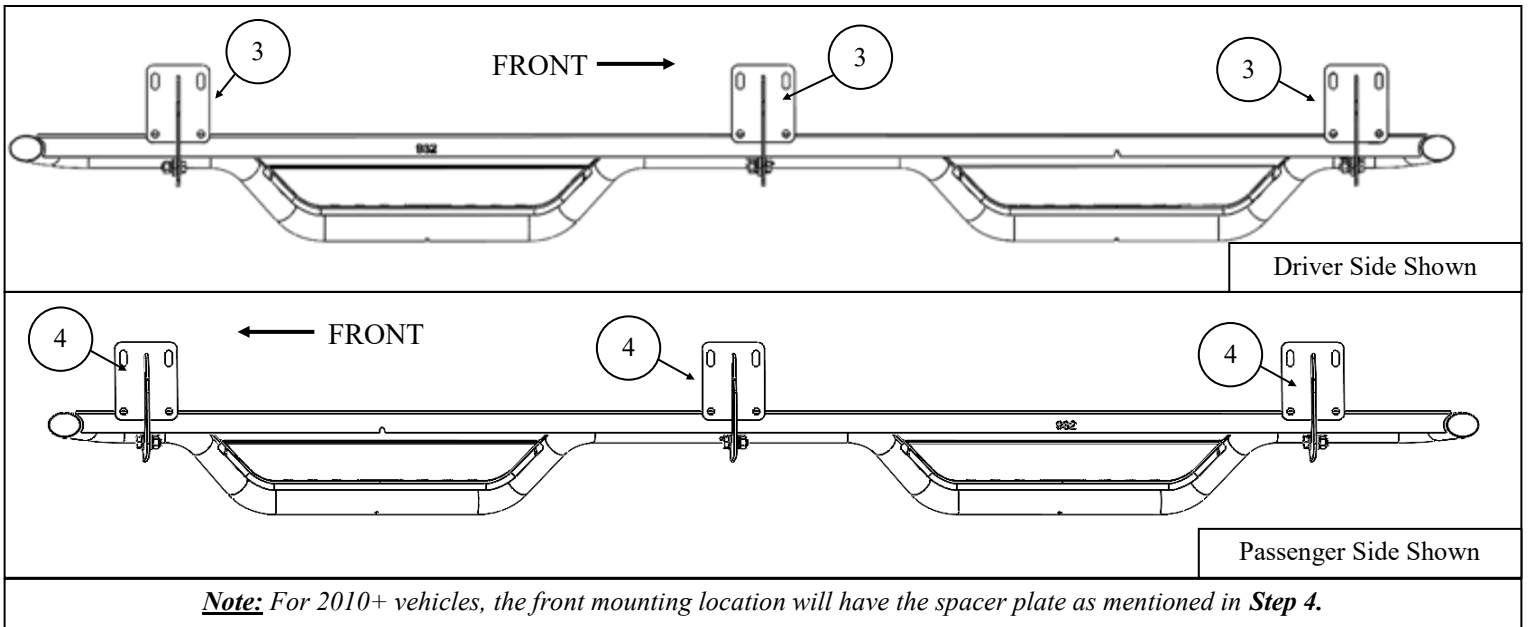


PROCEDURE

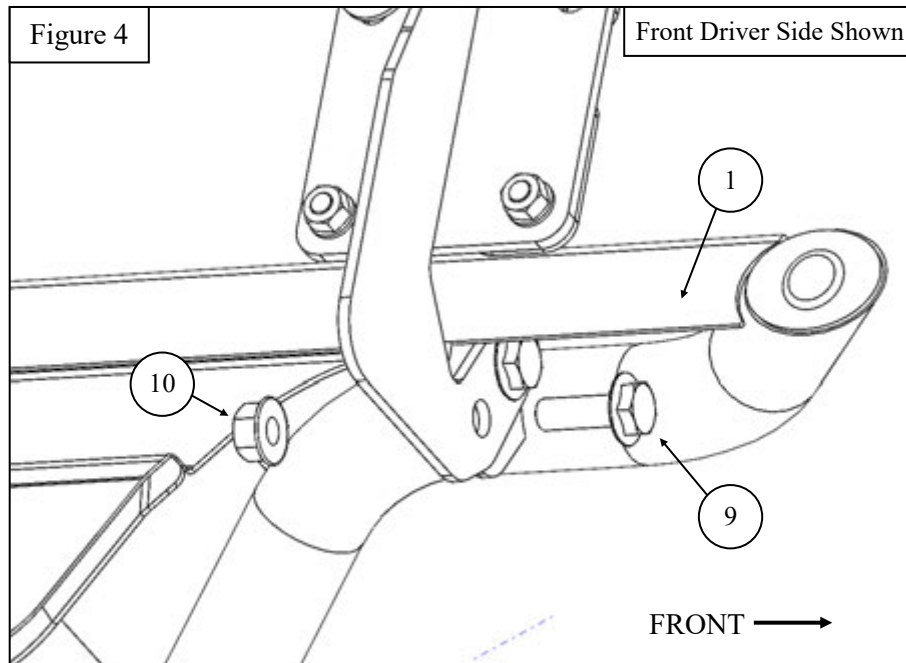
1. Remove contents from box, verify if all parts listed are present and free from damage. Carefully read and understand all instructions before attempting installation.
Failure to identify damage before installation could lead to a rejection of any claim.

2. Starting on either side of the vehicle. On the rocker panel find locations with open holes and insert M8 U-Nut Clips into the top two holes. See **Figure 1** for reference. **Note:** *On some vehicles the factory mounting locations will not line up. If this is the case, drill out the holes using a 7/16" drill bit. Also, the front mounting location will only require one M8 U-Nut Clip.*
3. Loosely install the provided M8 hardware on to previously installed Nut Clip: (2) M8 hex head bolts, (2) M8 flat washers, (2) M8 split lock washers. For installing to bottom open holes of the rocker panel, loosely install: (2) M8 button head bolts, (4) M8 flat washers, (2) M8 split lock washers, (2) M8 hex nuts. Repeat the same procedure for all other mounting locations. See **Figure 2** for reference. **Note:** *See **Page 3** for the appropriate bracket orientations.*
4. **For 2010+ vehicles:** Place (1) front mounting bracket spacer (Item 4) in between the rocker panel and the front mounting bracket before installing. See **Figure 3** for reference.





7. With all of the mounting brackets in their corresponding locations, install the driver side Outlaw Step Bar Assembly (Item 1) using the supplied M10 hardware. See **Figure 4** for reference.
8. Repeat **Step 7** for the passenger side Outlaw Step Bar Assembly.
9. Align and adjust the steps bars as needed. Tighten and torque all hardware as specified: M8 hardware to 15-18 ft-lbs, M10 hardware to 35-38 ft-lbs.



INSTALLATION COMPLETE



CARE INSTRUCTIONS

- REGULAR WAXING IS RECOMMENDED. DO NOT USE ANY TYPE OF POLISH OR WAX THAT MAY CONTAIN ABRASIVES.
- STAINLESS STEEL PRODUCTS CAN BE CLEANED WITH MILD SOAP AND WATER. STAINLESS STEEL POLISH SHOULD BE USED TO POLISH SMALL SCRATCHES.
- GLOSS BLACK FINISHES SHOULD BE CLEANED WITH MILD SOAP AND WATER.

WESTIN

Westin Automotive Products, Inc.
320 W. Covina Blvd
San Dimas, Ca. 91773

Thank you for choosing Westin products
for additional installation assistance please call
Customer Service (800) 793-7846

www.westinautomotive.com



WARNING



Failure to follow these instructions could lead to death, personal injury, and / or property damage.

Failure to follow these instructions could lead to death, personal injury, and / or property damage.

FASTENERS:

All Westin supplied fasteners must be utilized and installed in accordance with the installation instructions and apply torque to the specifications as defined. **DOUBLE CHECK ALL FASTENERS BEFORE INITIAL USE, AND PERIODICALLY IN THE FUTURE TO ENSURE PROPER FUNCTION AND SAFETY.**

DRILLING:

Most Westin products do not require drilling for installation. If drilling is defined as required, use caution when drilling a vehicle. **FAILURE TO REVIEW AN AREA TO BE DRILLED MAY RESULT IN PERSONAL INJURY AND/OR INJURY TO OTHERS AS WELL AS VEHICLE DAMAGE.**

EYE PROTECTION:

ALWAYS WEAR SAFETY GLASSES OR GOGGLES DURING THE INSTALLATION PROCESS TO AVOID PERSONAL INJURY.

MAXIMUM TOWING/CARRYING CAPACITY: (if applicable)

The Westin Receiver Hitches will have a visible tow rating label affixed directly on the product. User should never exceed the vehicle manufacturers maximum tow and weight rating regardless of the capacity of the hitch. **FAILURE TO FOLLOW THESE GUIDELINES WILL VOID THE WESTIN WARRANTY AND MAY RESULT IN PERSONAL INJURY AND/OR INJURY TO OTHERS AS WELL AS VEHICLE DAMAGE.**

FOR CALIFORNIA RESIDENTS ONLY-PROP 65 WARNING:

Some products may contain chemicals such as DEHP, which can cause cancer, birth defects or other reproductive harm. For more info go to www.p65warnings.ca.gov



Westin Automotive Products, Inc.
320 W. Covina Blvd
San Dimas, Ca. 91773