



INSTALLATION INSTRUCTIONS

HDX DROP STEP

AUTOMOTIVE PRODUCTS,

APPLICATION:

2015 - 2016 Ford F150 Super Cab / Super Crew

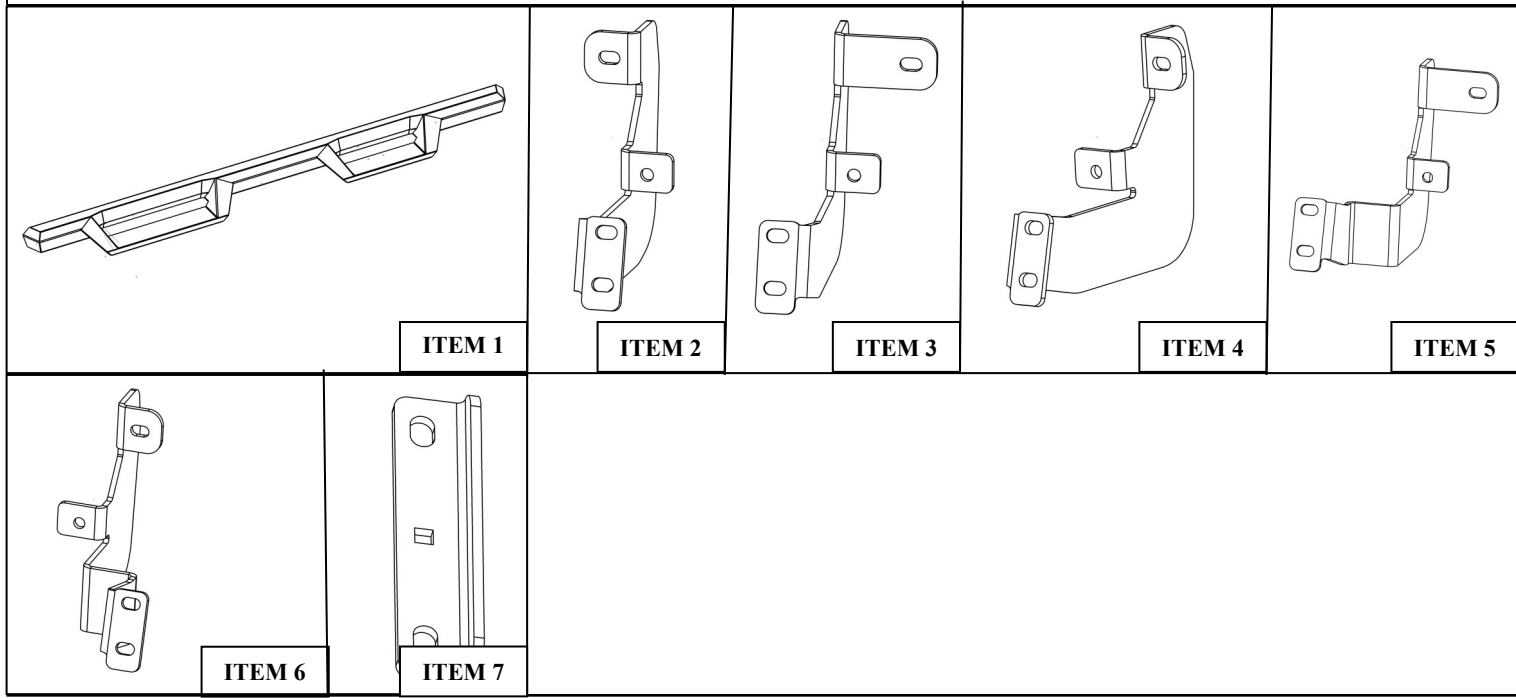
PART NUMBER:

56-13935, 56-13945

CONTENT			
.ITEM	QUANTITY	DESCRIPTION	TOOLS NEEDED
1	2	STEP BAR ASSEMBLY	RATCHET
2	2 / 2	FRONT MOUNTING BRACKET	TORQUE WRENCH
3	1 / 1	PASSENGER SIDE REAR MOUNTING BRACKET	13MM WRENCH
4	1 / 1	DRIVER SIDE REAR MOUNTING BRACKET	13MM SOCKET
5	0 / 1 *	PASSENGER SIDE CENTER MOUNTING BRACKET	SOCKET EXT.
6	0 / 1 *	DRIVER SIDE CENTER MOUNTING BRACKET	
7	4 / 6*	UNIVERSAL BRACKET	
8	24 / 36*	M8 SPLIT LOCK WASHER (YELLOW ZINC)	
9	24 / 36*	M8 LARGE FLAT WASHER (YELLOW ZINC)	
10	16 / 24*	M8 HEX NUT (YELLOW ZINC)	
11	4 / 6*	M8 ROUND HEAD SQUARE NECK BOLT (BLACK ZINC)	
12	12 / 18*	M8 PLASTIC RETAINER	
13	8 / 12 *	M8 HEX HEAD BOLT (YELLOW ZINC)	

* SUPER CAB / SUPER CREW. NOTE: SUPER CAB HAS LESS HARDWARE AND BRACKETS

ANTI-SEIZE LUBRICANT MUST BE USED ON ALL STAINLESS STEEL FASTENERS TO PREVENT THREAD DAMAGE AND GALLING



Westin Automotive Products, Inc.
320 W. Covina Blvd
San Dimas, Ca. 91773

Thank you for choosing Westin products
for additional installation assistance please call
Customer Service (800) 793-7846
www.westinautomotive.com

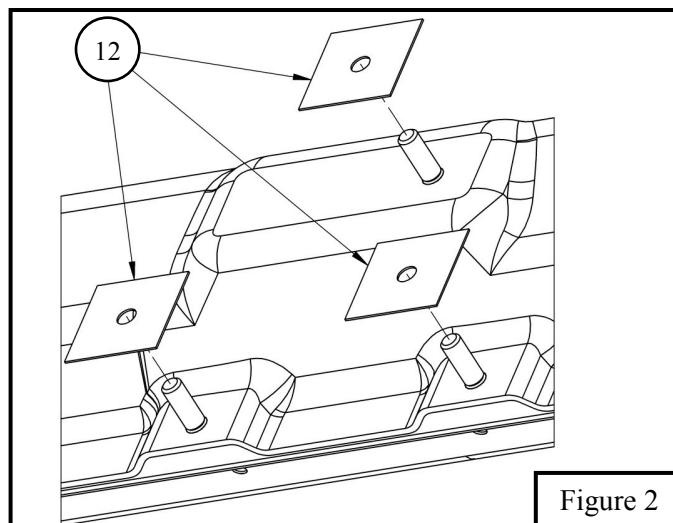
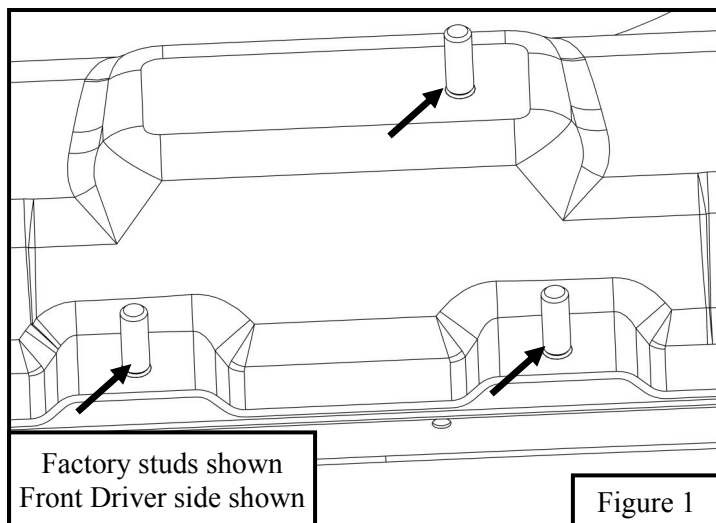
PROCEDURE

1. Remove contents from box, verify if all parts listed are present and free from damage.

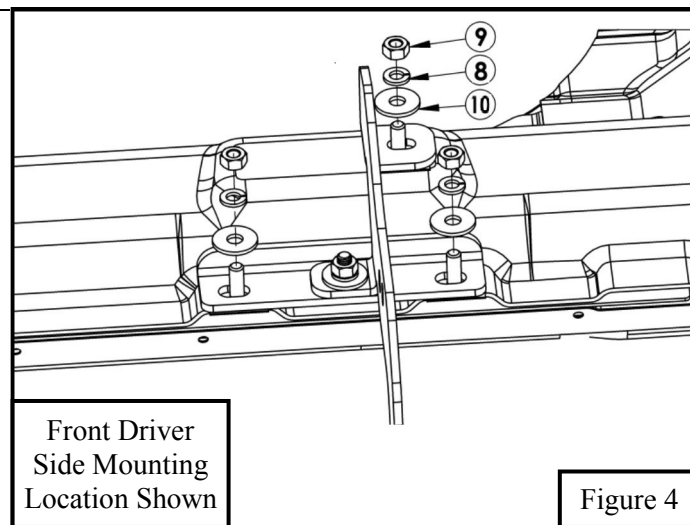
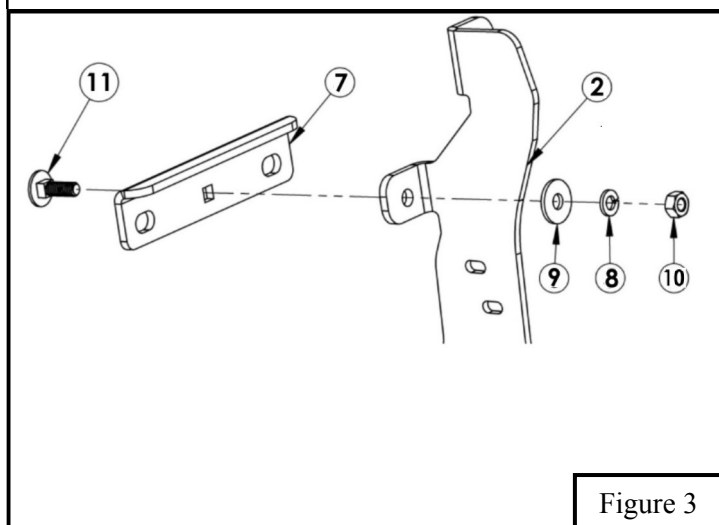
Carefully read and understand all instructions before attempting installation.

Failure to identify damage before installation could lead to a rejection of any claim.

2. Start installation on driver's side. On the rocker panel find locations of factory studs. In each location there should be 3 studs. (Note: Super Cab has two locations and Super Crew has three locations.) **See Figure 1.**
3. Insert (1) M8 Plastic Retainer (Item 12) on each factory stud. (Note: There will be 6 extra plastic retainers for the super cab model.) **See Figure 2.**

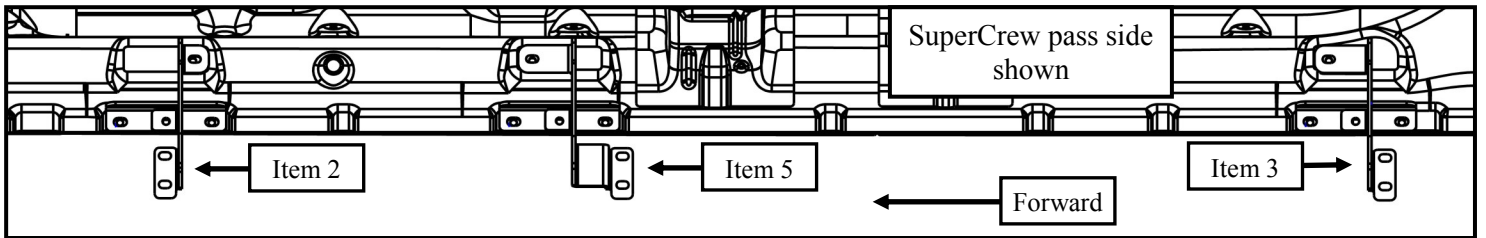
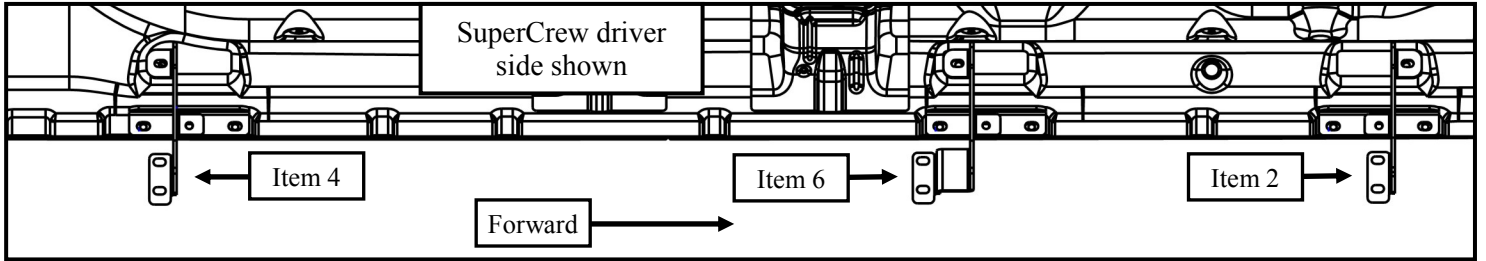
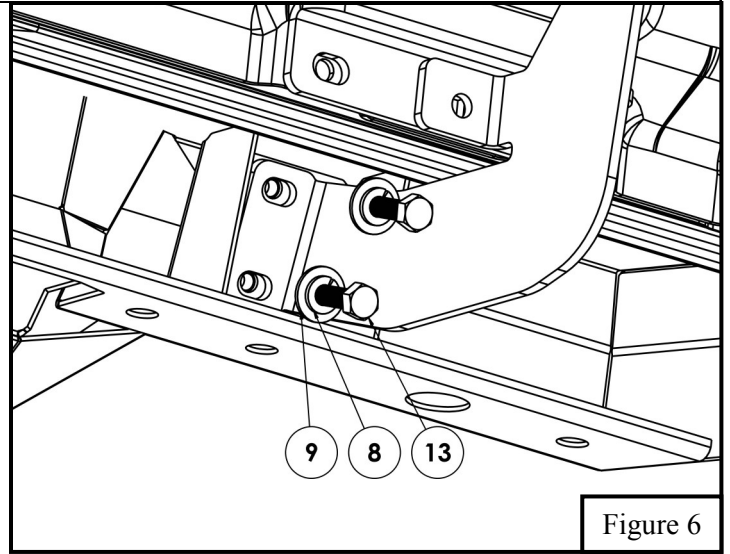
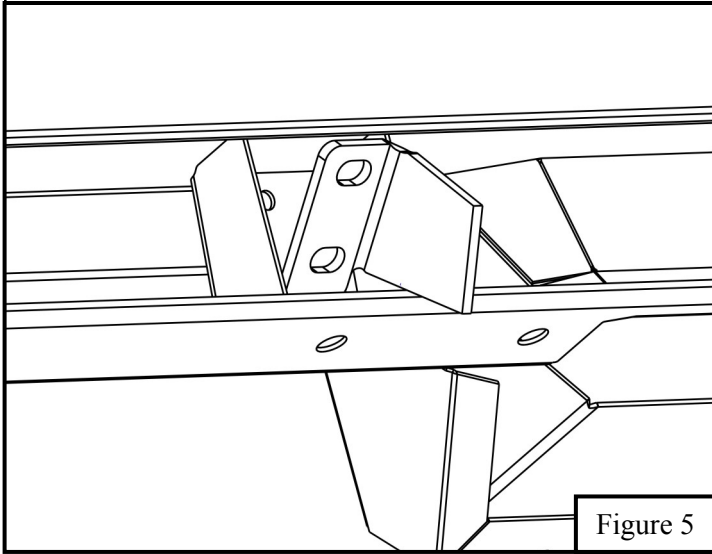


4. Insert the M8 round head square neck bolt (Item 11) through the Universal Mounting Bracket's (Item 7) square hole. Then insert the M8 round head square neck bolt through mounting brackets (Item 2 - 6) bottom circular hole. Loosely secure with (1) M8 hex nut, (1) M8 split lock washer, and (1) M8 flat washer. (Note: For Super Cab model there will be 4 Universal Mounting Brackets and for the Super Crew model there are 6.) **See Fig. 3.**
5. Align sub-assembly with the 3 factory studs. Lower 2 factory studs will align with the Universal Mounting Bracket and top factory stud will align with mounting brackets. Loosely secure sub-assembly with (3) M8 hex nut, (3) M8 split lock washer, and (3) M8 flat washer. **See Fig. 4.** (Note: See page 3 for bracket orientation)
6. Repeat **Step 3-4** for every mounting location.



Westin Automotive Products, Inc.
320 W. Covina Blvd
San Dimas, Ca. 91773

7. Tilt Board at angle to insert brackets into mounting locations. See **Figure 5**
8. For Step Board installation to the previously installed mounting brackets use the supplied M8 hardware. See **Figure 6**.
9. Align step bar and brackets to desired positioning then torque and tighten all: M8 hardware to 20 ft-lbs.



NOTE : (FOR SUPER CAB APPLICATIONS THE ORIENTATION OF BRACKETS ARE THE SAME. THE ONLY DIFFERENCE IS IT WILL **NOT** HAVE CENTER BRACKETS.)



Westin Automotive Products, Inc.
320 W. Covina Blvd
San Dimas, Ca. 91773

Thank you for choosing Westin products
for additional installation assistance please call
Customer Service (800) 793-7846

INSTALLATION COMPLETED



Care Instructions

- REGULAR WAXING IS RECOMMENDED. DO NOT USE ANY TYPE OF POLISH OR WAX THAT MAY CONTAIN ABRASIVES.
- STAINLESS STEEL PRODUCTS CAN BE CLEANED WITH MILD SOAP AND WATER. STAINLESS STEEL POLISH SHOULD BE USED TO POLISH SMALL SCRATCHES.
- GLOSS BLACK FINISHES SHOULD BE CLEANED WITH MILD SOAP AND WATER.



Westin Automotive Products, Inc.
320 W. Covina Blvd
San Dimas, Ca. 91773

Thank you for choosing Westin products
for additional installation assistance please call
Customer Service (800) 793-7846
www.westinautomotive.com

Westin

SIGNATURE OF QUALITY

AUTOMOTIVE PRODUCTS, INC.



WARNING



Failure to follow these instructions could lead to death, personal injury, and / or property damage.

FASTENERS:

All Westin supplied fasteners must be utilized and installed in accordance with the installation instructions and apply torque to the specifications as defined. **DOUBLE CHECK ALL FASTENERS BEFORE INITIAL USE, AND PERIODICALLY IN THE FUTURE TO ENSURE PROPER FUNCTION AND SAFETY.**

DRILLING:

Most Westin products do not require drilling for installation. If drilling is defined as required, use caution when drilling a vehicle. **FAILURE TO REVIEW AN AREA TO BE DRILLED MAY RESULT IN PERSONAL INJURY AND/OR INJURY TO OTHERS AS WELL AS VEHICLE DAMAGE.**

EYE PROTECTION:

ALWAYS WEAR SAFETY GLASSES OR GOGGLES DURING THE INSTALLATION PROCESS TO AVOID PERSONAL INJURY.

MAXIMUM TOWING/CARRYING CAPACITY:

The Westin Receiver Hitches will have a visible tow rating label affixed directly on the product. User should never exceed the vehicle manufacturers maximum tow and weight rating regardless of the capacity of the hitch. **FAILURE TO FOLLOW THESE GUIDELINES WILL VOID THE WESTIN WARRANTY AND MAY RESULT IN PERSONAL INJURY AND/OR INJURY TO OTHERS AS WELL AS VEHICLE DAMAGE.**

Westin
SIGNATURE OF QUALITY

Westin Automotive Products, Inc.
320 W. Covina Blvd
San Dimas, Ca. 91773