



SIGNATURE OF QUALITY

AUTOMOTIVE PRODUCTS, INC.

INSTALLATION INSTRUCTIONS

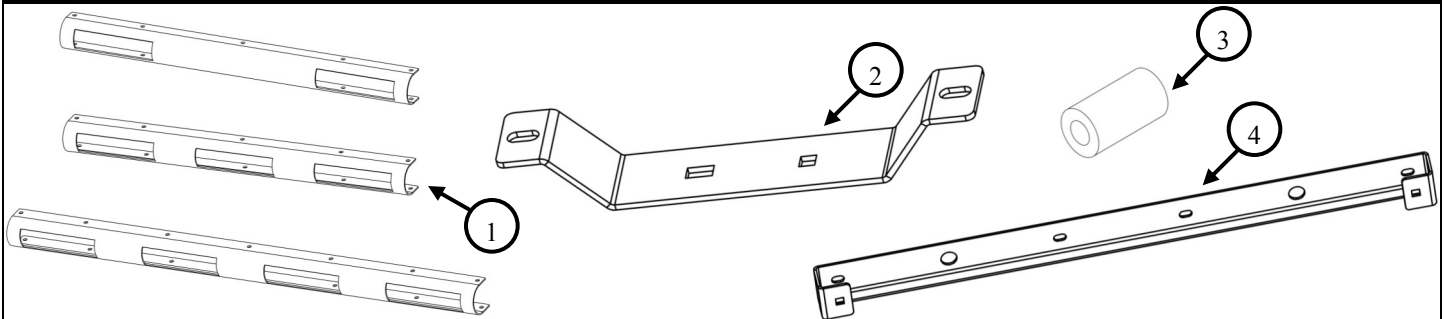
APPLICATION: CODE 3 CHASE TOP LIGHT CHANNEL—POLICE PUSH BAR
APP PART #'S: 36-6005C2CH, 36-6005C3CH, 36-6015C2CH, 36-6015C4CH

ITEM	QUANTITY	DESCRIPTION	TOOLS NEEDED
1	1	TOP CHANNEL ASSEMBLY	ALLEN WRENCH
2	2	LIGHT MOUNTING BRACKET	SCREWDRIVER
3	2	22MM SPACER (ONLY FOR 36-005C3CH)	
4	1	MIDDLE BRACKET (ONLY FOR 36-6015C4CH)	
5	14	M4 SHORT HEX SOCKET BUTTON HEAD SCREW	
6	4 / 6*	10-24 K-LOCK NUT	
7	4 / 6*	10-24 CARRIAGE SCREW	
8	4 / 8*	M4 MEDIUM HEX SOCKET BUTTON HEAD SCREW	
9	22 / 30*	M4 FLAT WASHER	
10	18 / 22*	M4 EXTERNAL TOOTH LOCK WASHER	
11	6 / 8*	M4 HEX NUT	
12	2	M4 LARGE HEX SOCKET BUTTON HEAD SCREW	

***QUANTITIES DEPEND UPON APPLICATION**

NOTE: ITEM 12 DOES NOT COME IN P/N: 36-6015C4CH DUE TO HAVING A DIFFERENT BOLT KIT (60-1105)

ANTI-SEIZE LUBRICANT MUST BE USED ON ALL STAINLESS STEEL FASTENERS TO PREVENT THREAD DAMAGE AND GALLING



1. Remove contents from box, verify if all parts listed are present and free from damage. Carefully read and understand all instructions before attempting installation. **Failure to identify damage before installation could lead to a rejection of any claim.**
2. Install the lights (not included) as shown using the supplied hardware (Figures 1-3).
3. Verify that the lights are centered properly by temporarily holding up the supplied Top Channel. Adjust the light position if necessary.
4. Install the light wiring harness per the light manufacturer's instructions.
5. Install the Top Channel as shown in Figures 4 and 5.

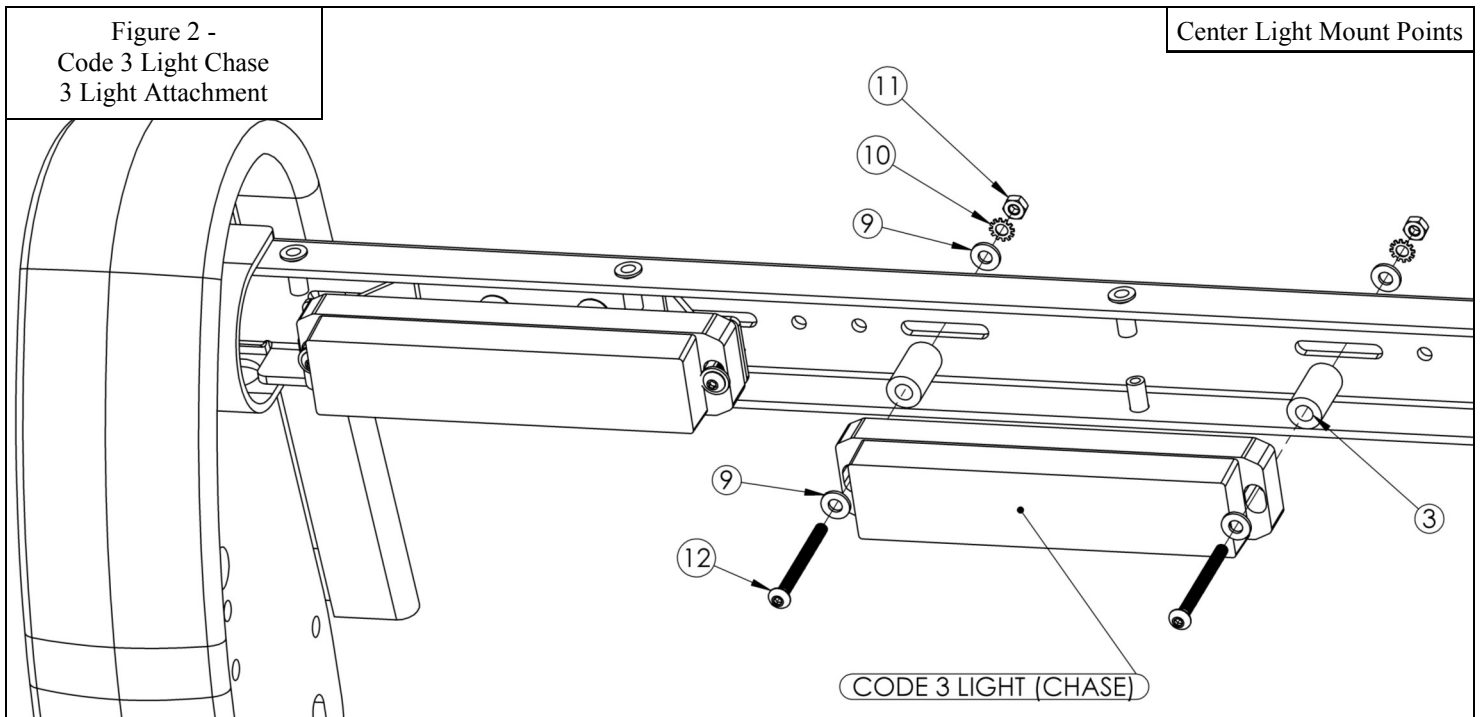
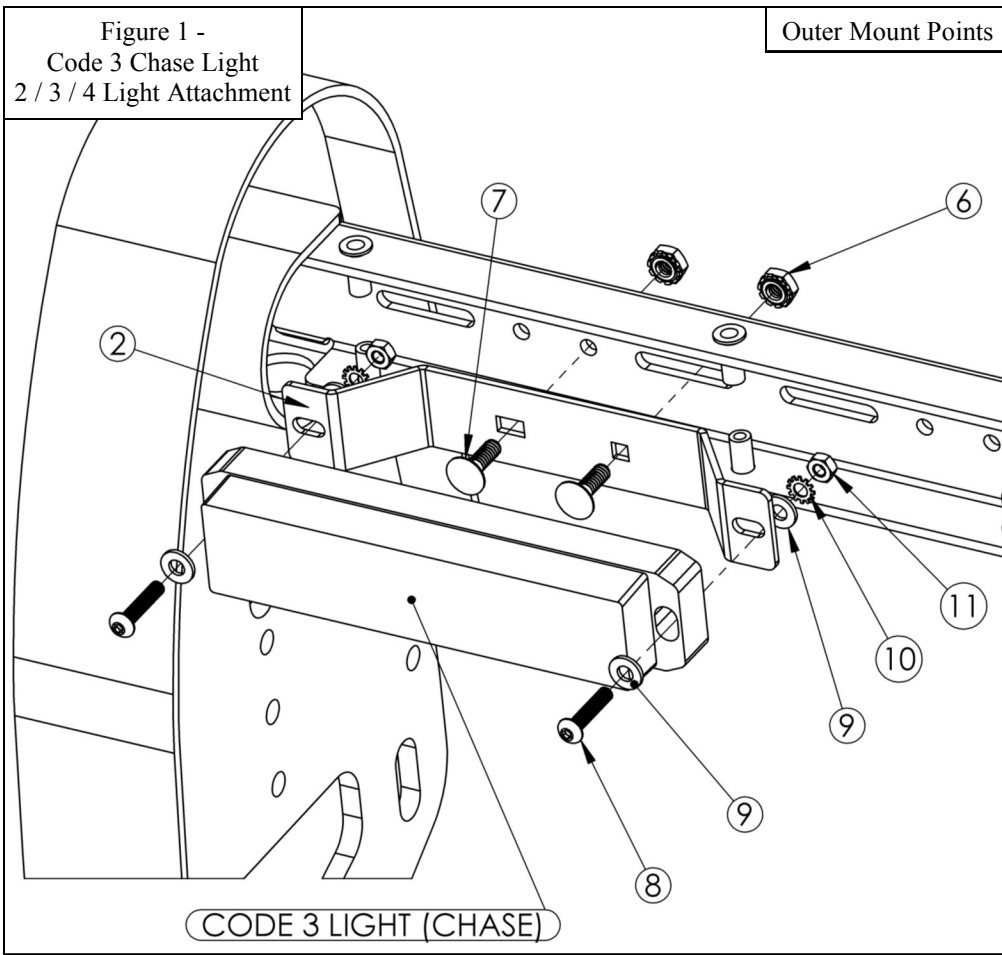
CARE INSTRUCTIONS

- REGULAR WAXING IS RECOMMENDED. DO NOT USE ANY TYPE OF POLISH OR WAX THAT MAY CONTAIN ABRASIVES.
- STAINLESS STEEL PRODUCTS CAN BE CLEANED WITH MILD SOAP AND WATER. STAINLESS STEEL POLISH SHOULD BE USED TO POLISH SMALL SCRATCHES.
- GLOSS BLACK FINISHES SHOULD BE CLEANED WITH MILD SOAP AND WATER.



Westin Automotive Products, Inc.
320 W. Covina Blvd
San Dimas, Ca. 91773

Thank You for choosing Westin products
For Additional installation assistance please call
Customer service (800) 793-7846
www.westinautomotive.com



Westin Automotive Products, Inc.
320 W. Covina Blvd
San Dimas, Ca. 91773

Thank You for choosing Westin products
For Additional installation assistance please call
Customer service (800) 793-7846
www.westinautomotive.com

Figure 3 -
Code 3 Chase Light
4 Light Attachment

Center Light Mount Points

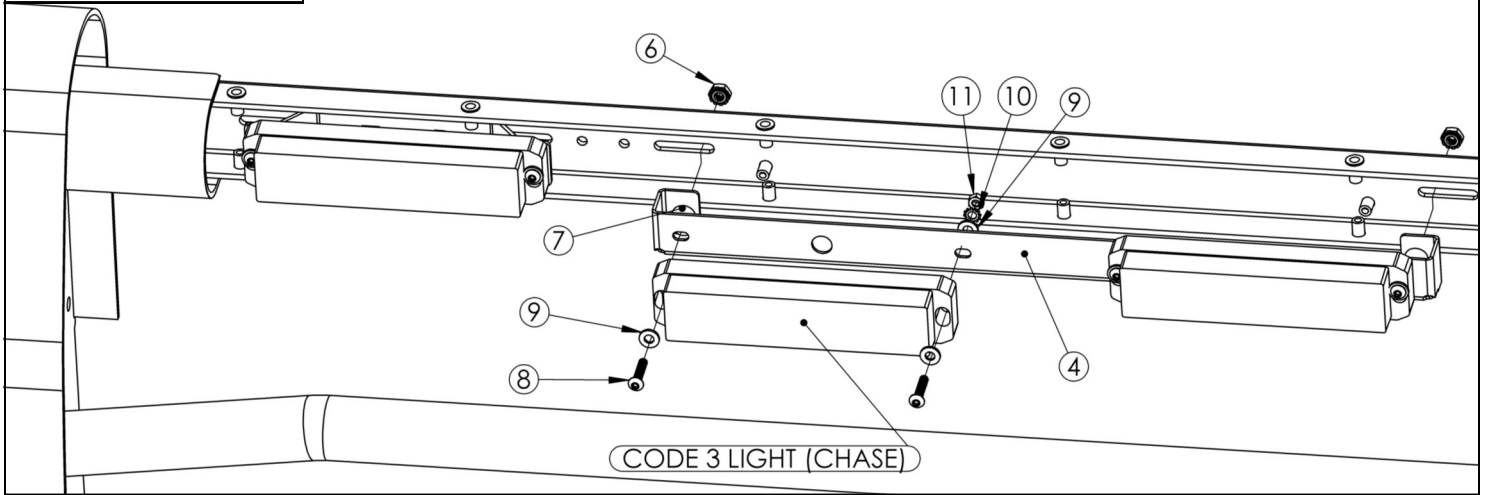
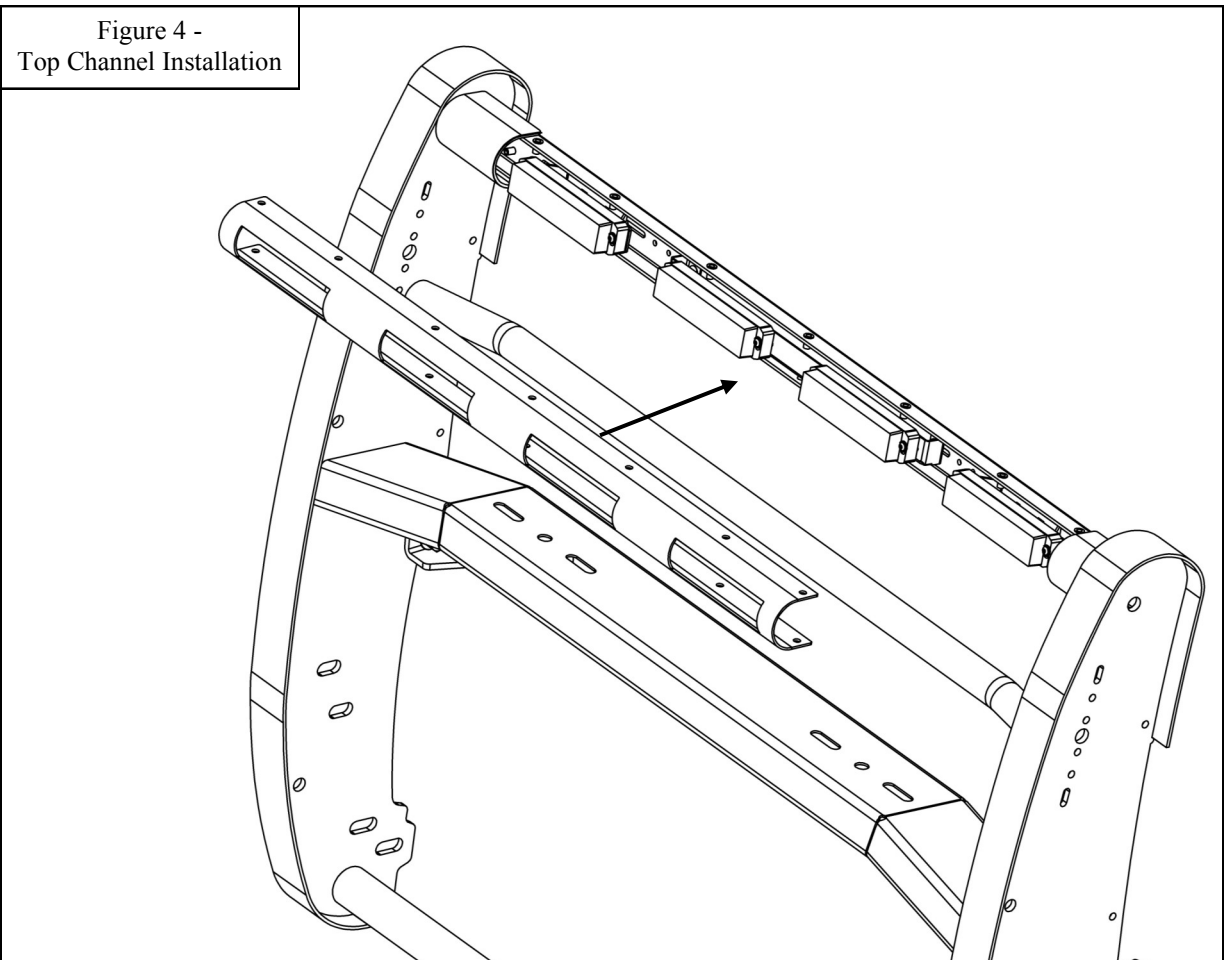


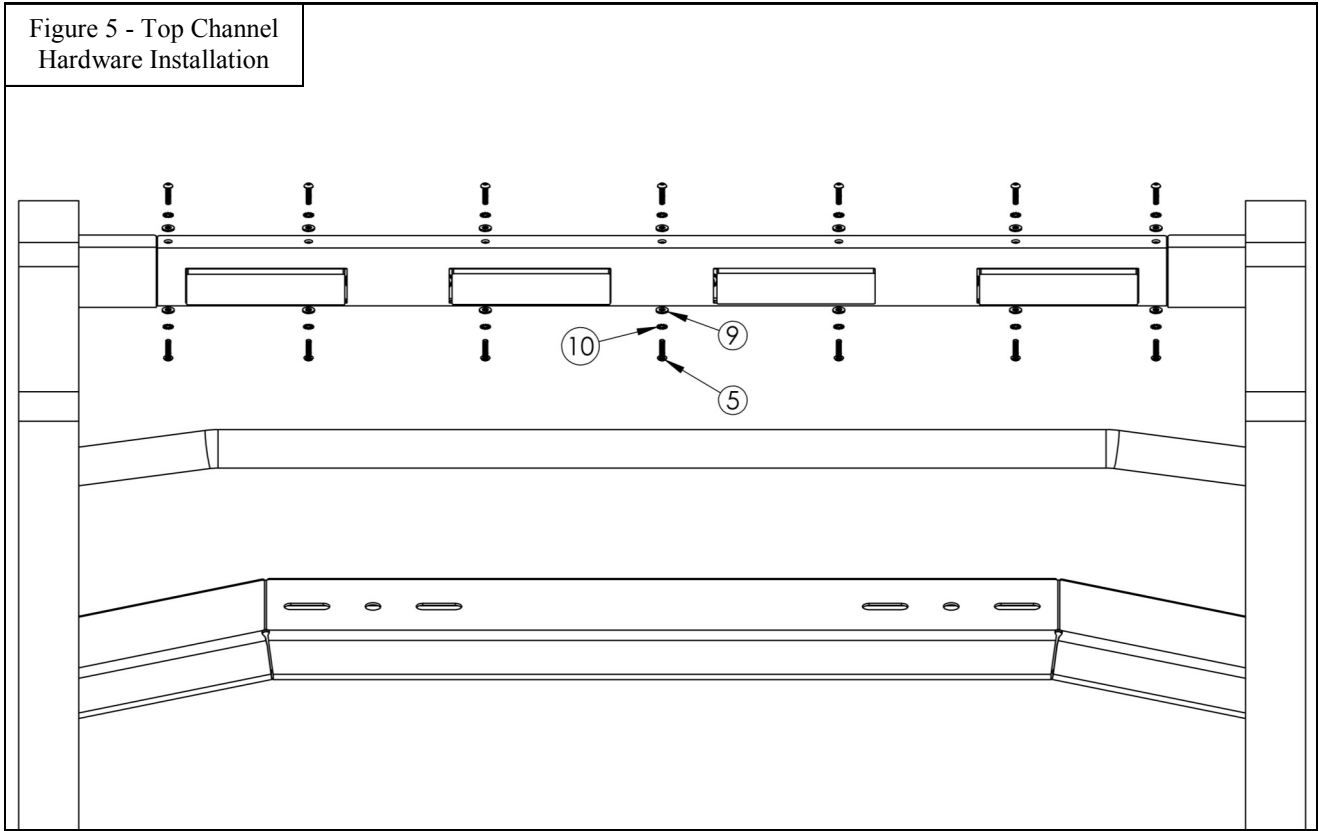
Figure 4 -
Top Channel Installation



Westin Automotive Products, Inc.
320 W. Covina Blvd
San Dimas, Ca. 91773

Thank You for choosing Westin products
For Additional installation assistance please call
Customer service (800) 793-7846
www.westinautomotive.com

Figure 5 - Top Channel
Hardware Installation



Westin Automotive Products, Inc.
320 W. Covina Blvd
San Dimas, Ca. 91773

Thank You for choosing Westin products
For Additional installation assistance please call
Customer service (800) 793-7846
www.westinautomotive.com