

INSTALLATION INSTRUCTIONS

TM-5120 Series On-Dash Mount

APPLICATION:

Police Interceptor Utility 2025

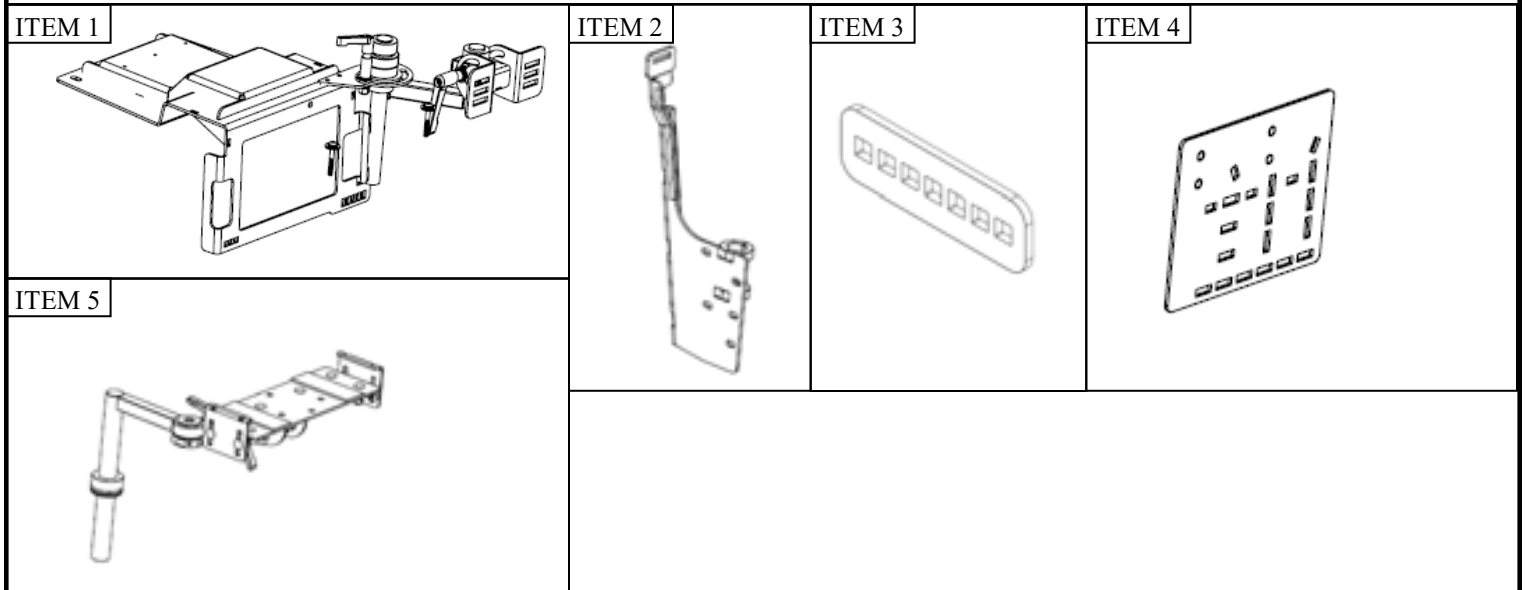
PART NUMBER:

500-0243



CONTENT			
ITEM	QUANTITY	DESCRIPTION	TOOLS NEEDED
1	1	DASH MOUNT BASE	7/16" SOCKET
2	1	DASH MOUNT SUPPORT LEG	RATCHET
3	1	WIDE CONSOLE ADJUSTOR BRACKET	TORQUE WRENCH
4	1	ADAPTOR PLATE	7/16" WRENCH
5	1	KEYBOARD TRAY MOUNT	3/16" "L" WRENCH
6	3	1/4" CARRIAGE BOLTS	8 MM SOCKET
7	3	1/4" A-CORN NUTS	8 MM WRENCH
8	14	1/4" LOCK WASHERS	
9	14	1/4" FLAT WASHERS	
10	5	1/4" FLANGE NUTS	
11	5	1/4" BUTTON HEAD BOLTS	
12	2	M5 HEX HEAD LARGE BOLTS	
		--	

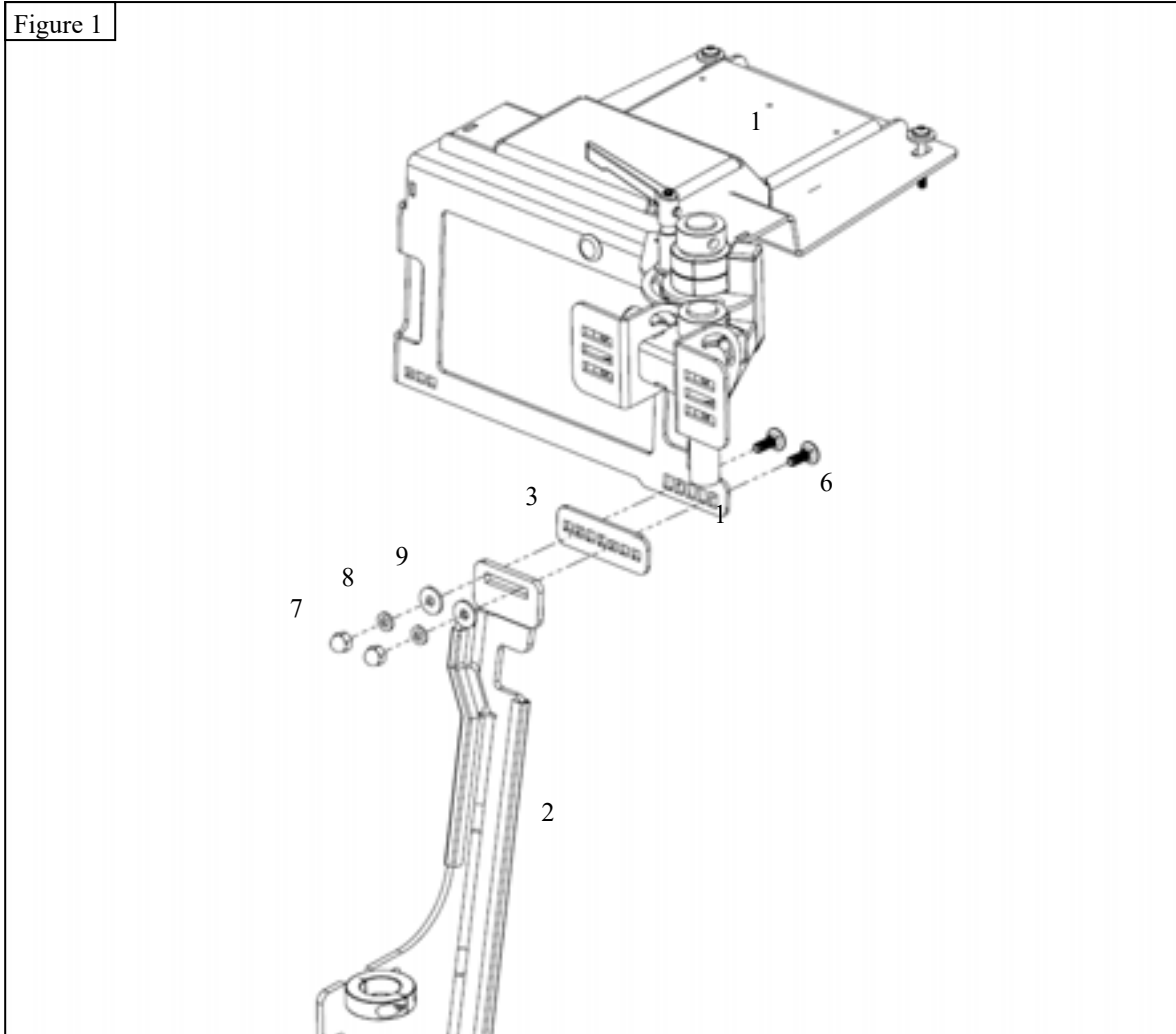
ANTI-SEIZE LUBRICANT MUST BE USED ON ALL STAINLESS STEEL FASTENERS TO PREVENT THREAD DAMAGE AND GALLING



PROCEDURE

1. Remove contents from box, verify if all parts listed are present and free from damage.
Carefully read and understand all instructions before attempting installation.
Failure to identify damage before installation could lead to a rejection of any claim.
2. Assembly together Dash Mount Base (1) and Dash mount support Leg (2) using 2 sets of 1/4" hardware (6,7,8, and 9)
3. Use Wide Console Adjustor Bracket (3) plus another set of 1/4" hardware (6,7,8, and 9) if a wide console is used.
4. Make sure to place these bolts in holes as far apart as possible but still allowing the leg to slide so that it can be bolted against the console.

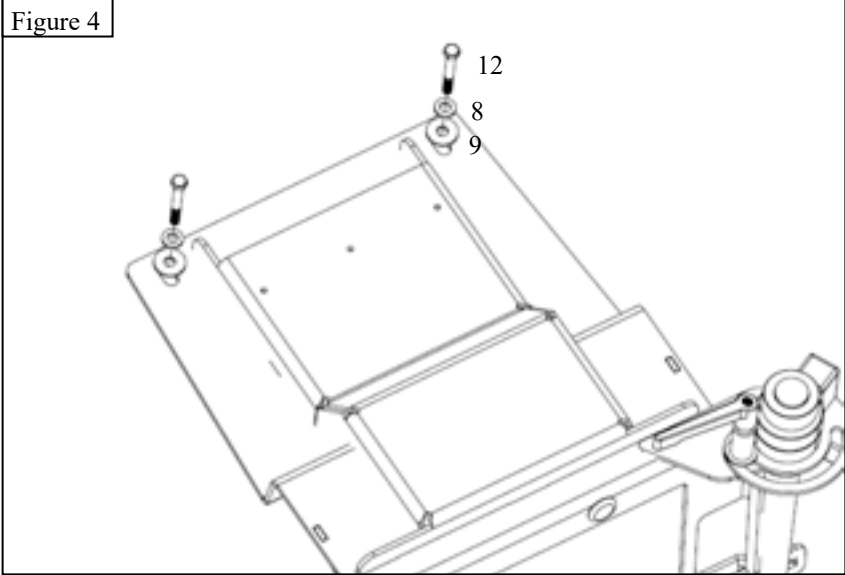
Figure 1



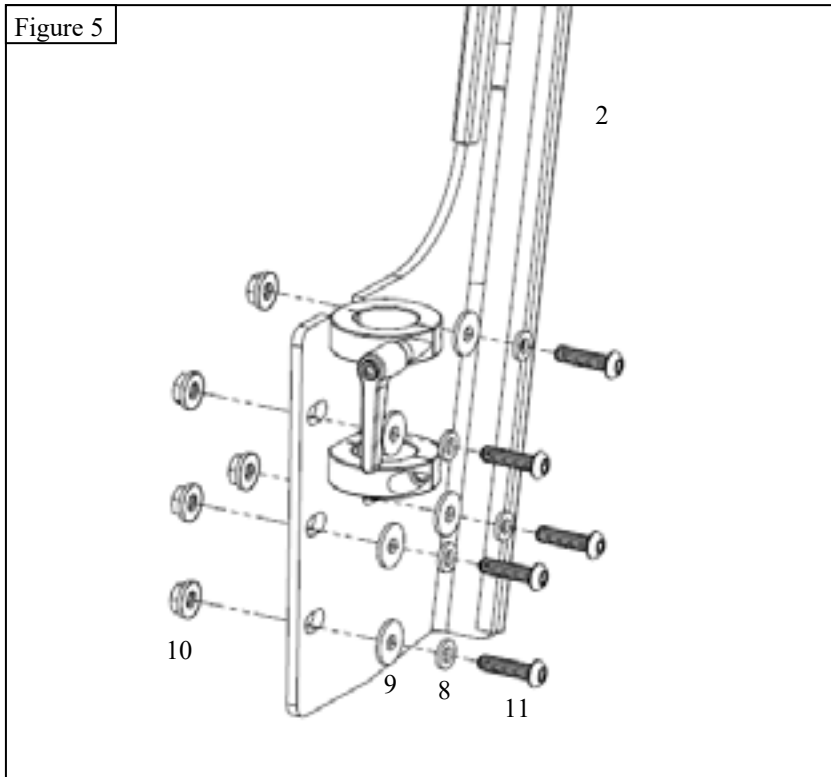
5. In the vehicle remove the screws that are in the top center of the dash board. Discard the bolts. Figure 2.



6. Place the Dash Mount Base (1) and align the slots with the dash board holes. Use two M5 long bolts (12), two 1/4" washer (9) and two 1/4" lock washer (8) to hold down the Dash Mount Base. Figures 3 and 4.



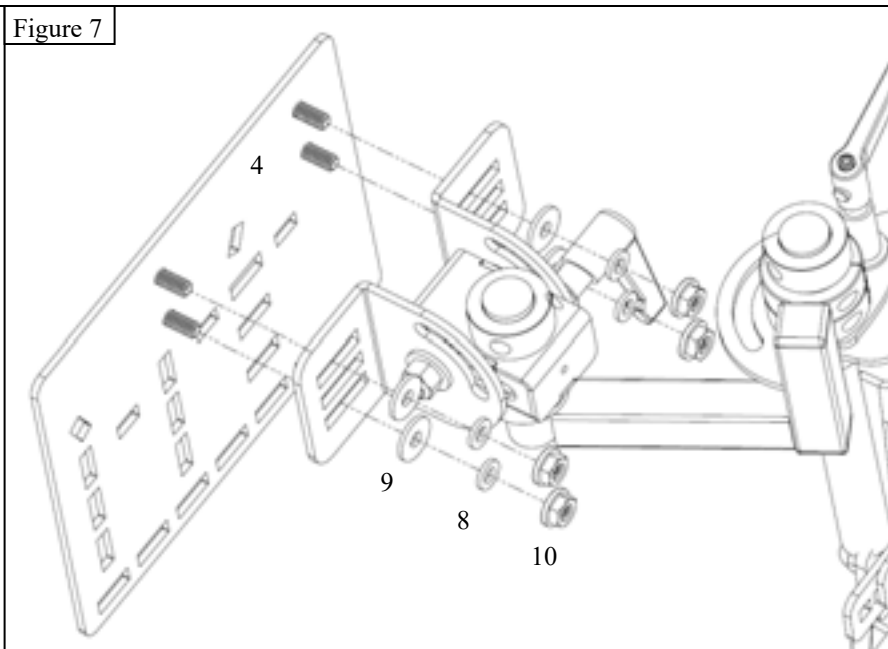
7. With the mount in place fastened to the top bolts on the dash board. Line up the Dash mount support Leg (2) with the console. Make sure the Keyboard Tray Mount post (5) sits vertically in the vehicle. Using the Dash Arm Mount (2) as a guide, drill four 1/4" holes into the console. Place bolt (11) with washers (8 & 9) and through the holes in leg and the console, installing the Flange nuts (10) on the inside of the console. Once the mount is in place and aligned, Figures 5 and 6.
8. Tighten and torque all nuts to 8-11 ft-lbs.



9. Place threaded studs on Adaptor Plate (4) through slots on G.R.I.P. Place washers (8 & 9) onto threaded studs of plate. Hand tighten nuts 10. Once the plate is in place, Tighten and torque all hardware to 8-11 ft-lbs.

10. Install the computer on to adaptor plate as low as possible, so it does not obstruct the driver's view.

Figure 7

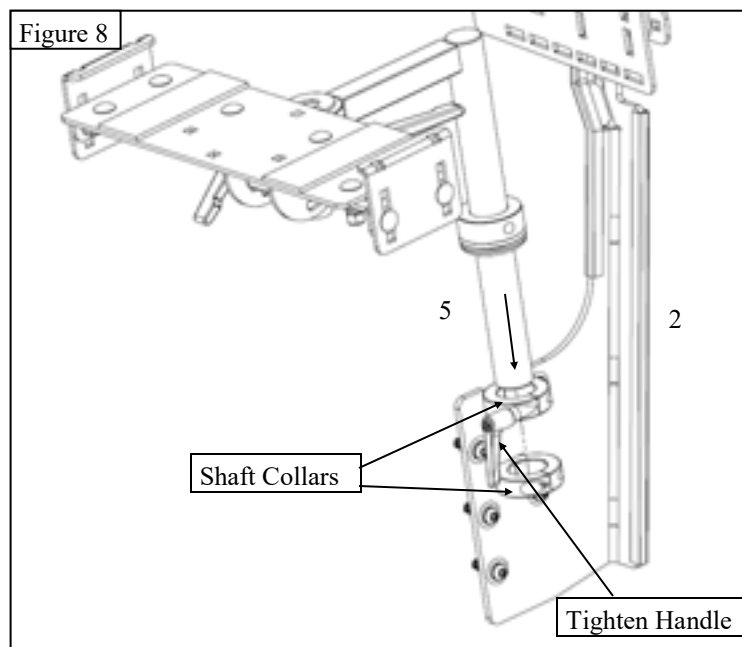


11. Insert Keyboard Tray Mount post (5) into Dash mount support Leg (2) collars. Tighten handle and adjust handle so that it faces down when tight, as shown in figures 6 and 8. Sit the Keyboard Tray Mount as low as possible.

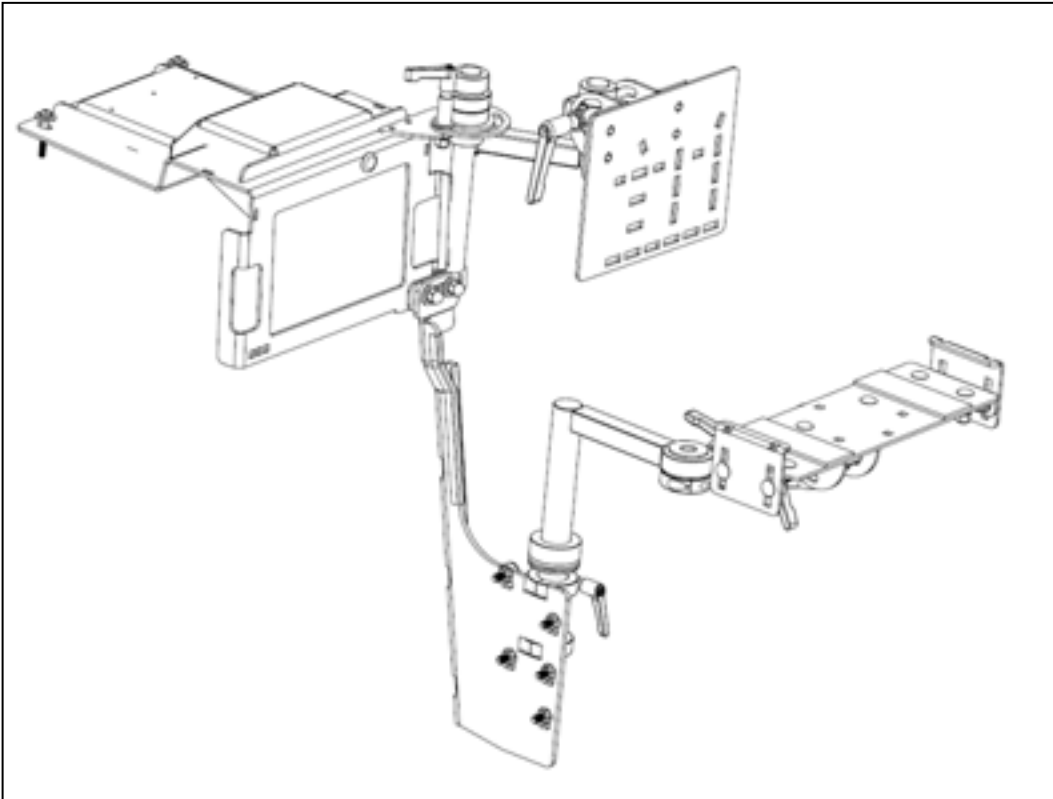
12. Make sure the Keyboard Post goes through both shaft collars on the base. Failure to do so will void the warranty.

13. Tighten and torque all hardware to 8-11 ft-lbs.

Figure 8



INSTALLATION COMPLETED



CARE INSTRUCTIONS

- REGULAR WAXING IS RECOMMENDED. DO NOT USE ANY TYPE OF POLISH OR WAX THAT MAY CONTAIN ABRASIVES.
- STAINLESS STEEL PRODUCTS CAN BE CLEANED WITH MILD SOAP AND WATER. STAINLESS STEEL POLISH SHOULD BE USED TO POLISH SMALL SCRATCHES.
- GLOSS BLACK FINISHES SHOULD BE CLEANED WITH MILD SOAP AND WATER.



Westin Automotive Products, Inc.
320 W. Covina Blvd
San Dimas, Ca. 91773

Thank you for choosing Westin products
for additional installation assistance please call
Customer Service (800) 793-7846
www.westinautomotive.com



WARNING



Failure to follow these instructions could lead to death, personal injury, and / or property damage.

Failure to follow these instructions could lead to death, personal injury, and / or property damage.

FASTENERS:

All Westin supplied fasteners must be utilized and installed in accordance with the installation instructions and apply torque to the specifications as defined. **DOUBLE CHECK ALL FASTENERS BEFORE INITIAL USE, AND PERIODICALLY IN THE FUTURE TO ENSURE PROPER FUNCTION AND SAFETY.**

DRILLING:

Most Westin products do not require drilling for installation. If drilling is defined as required, use caution when drilling a vehicle. **FAILURE TO REVIEW AN AREA TO BE DRILLED MAY RESULT IN PERSONAL INJURY AND/OR INJURY TO OTHERS AS WELL AS VEHICLE DAMAGE.**

EYE PROTECTION:

ALWAYS WEAR SAFETY GLASSES OR GOGGLES DURING THE INSTALLATION PROCESS TO AVOID PERSONAL INJURY.

MAXIMUM TOWING/CARRYING CAPACITY: (if applicable)

The Westin Receiver Hitches will have a visible tow rating label affixed directly on the product. User should never exceed the vehicle manufacturers maximum tow and weight rating regardless of the capacity of the hitch. **FAILURE TO FOLLOW THESE GUIDELINES WILL VOID THE WESTIN WARRANTY AND MAY RESULT IN PERSONAL INJURY AND/OR INJURY TO OTHERS AS WELL AS VEHICLE DAMAGE.**

FOR CALIFORNIA RESIDENTS ONLY-PROP 65 WARNING:

Some products may contain chemicals such as DEHP, which can cause cancer, birth defects or other reproductive harm. For more info go to www.p65warnings.ca.gov



Westin Automotive Products, Inc.
320 W. Covina Blvd
San Dimas, Ca. 91773