



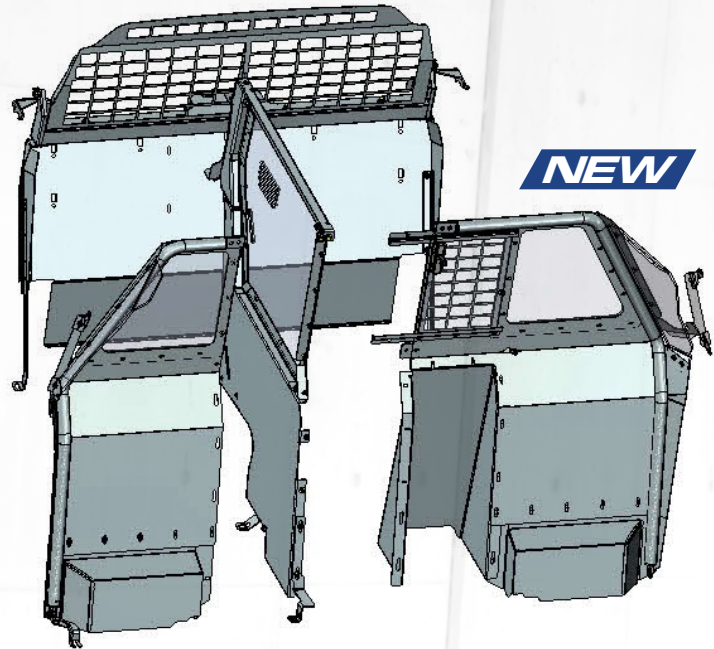
WESTIN[®]
PUBLIC SAFETY DIVISION

PATENT PENDING

REVOLUTIONARY MODULAR PARTITION SYSTEM

FEATURES:

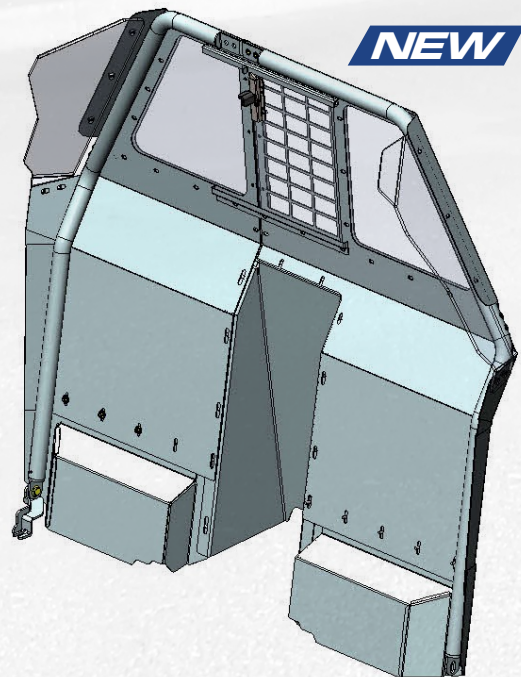
- Space saving design saves on shipping and warehousing
- Revolutionary modular design system
- Easy and fast install
- No rattles, no squeaks
- Available in 4 popular configurations
 - Full front partition
 - Front partition with divider
 - Single cell for OE or single prisoner seat
 - Single cell for full prisoner seat



DEFENDER MODULAR FRONT PARTITION

FEATURES:

- 10 gauge upper mounting brackets
- Sliding polycarbonate window with punch plate steel screen
- Anti-glare, scratch resistant polycarbonate window
- 16 gauge powder coated steel
- No cutting or drilling required
- Airbag tested and compliant
- Recessed design allow for maximum driver comfort
- 18 gauge with 1.5" tubular frame
- 16 gauge powder coated steel
- Easy and fast install
- Tamper proof hardware included
- Ships parcel post



PART NO. 35-10075

CALL 800.345.8476 OR VISIT WESTINPUBLICSAFETY.COM FOR THE MOST CURRENT INFO



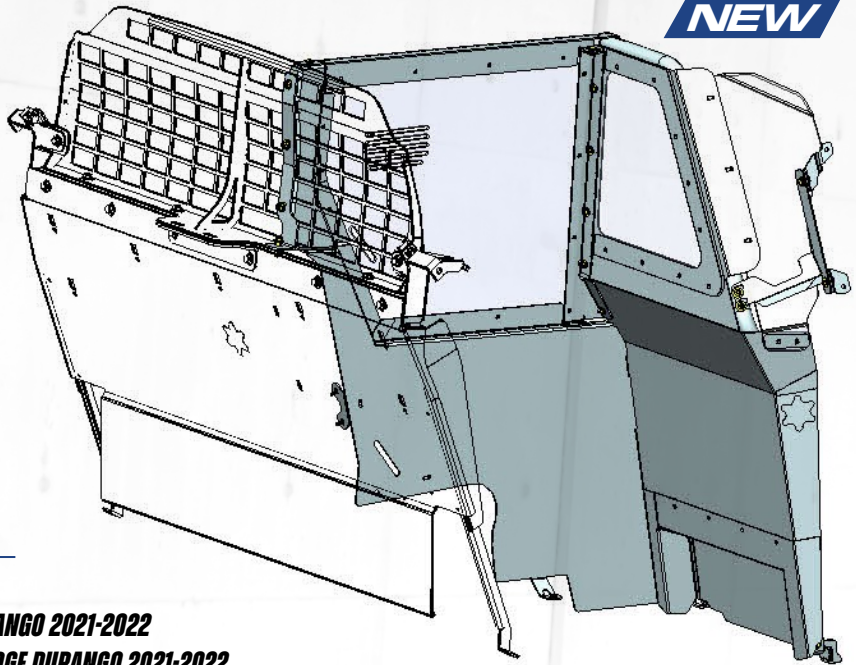
WESTIN[®]
PUBLIC SAFETY DIVISION

PATENT PENDING

DEFENDER MODULAR SINGLE CELL

FEATURES:

- Formed design allows for easy detainee handling in and out of vehicle
- Allows for maximum driver comfort
- Attaches to Defender Rear Partition for ultimate strength (Sold Separately)
- Available in 2 popular configurations
 - Single cell for OE or single prisoner seat
 - Single cell for full prisoner seat

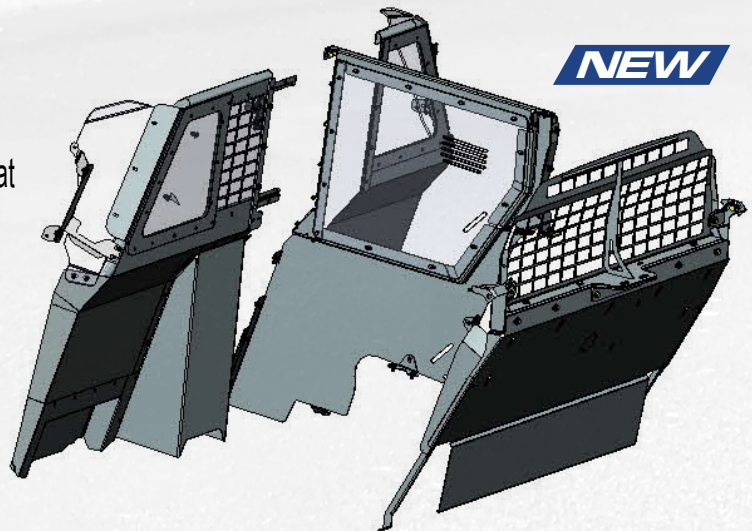


FULL PRISONER SEAT / PART NO. 35-220755 / DODGE DURANGO 2021-2022
OE OR SINGLE PRISONER SEAT / PART NO. 35-220765 / DODGE DURANGO 2021-2022
NOTE: SEATS AND REAR PARTITIONS SOLD SEPARATELY!

DEFENDER DRIVER SIDE MODULAR PARTITION

FEATURES:

- Can be added to Modular Single Cell to create 2 popular configurations
 - Full front partition with divider, for OE or single prisoner seat
 - Full front partition with divider, for full prisoner seat
- Allows for maximum driver and passenger comfort
- Separates the rear seat into 2 areas
 - 1/3 passenger
 - 2/3 Driver



DRIVER SIDE MODULAR PARTITION / PART # 35-10075-D / DODGE DURANGO 2021-2022