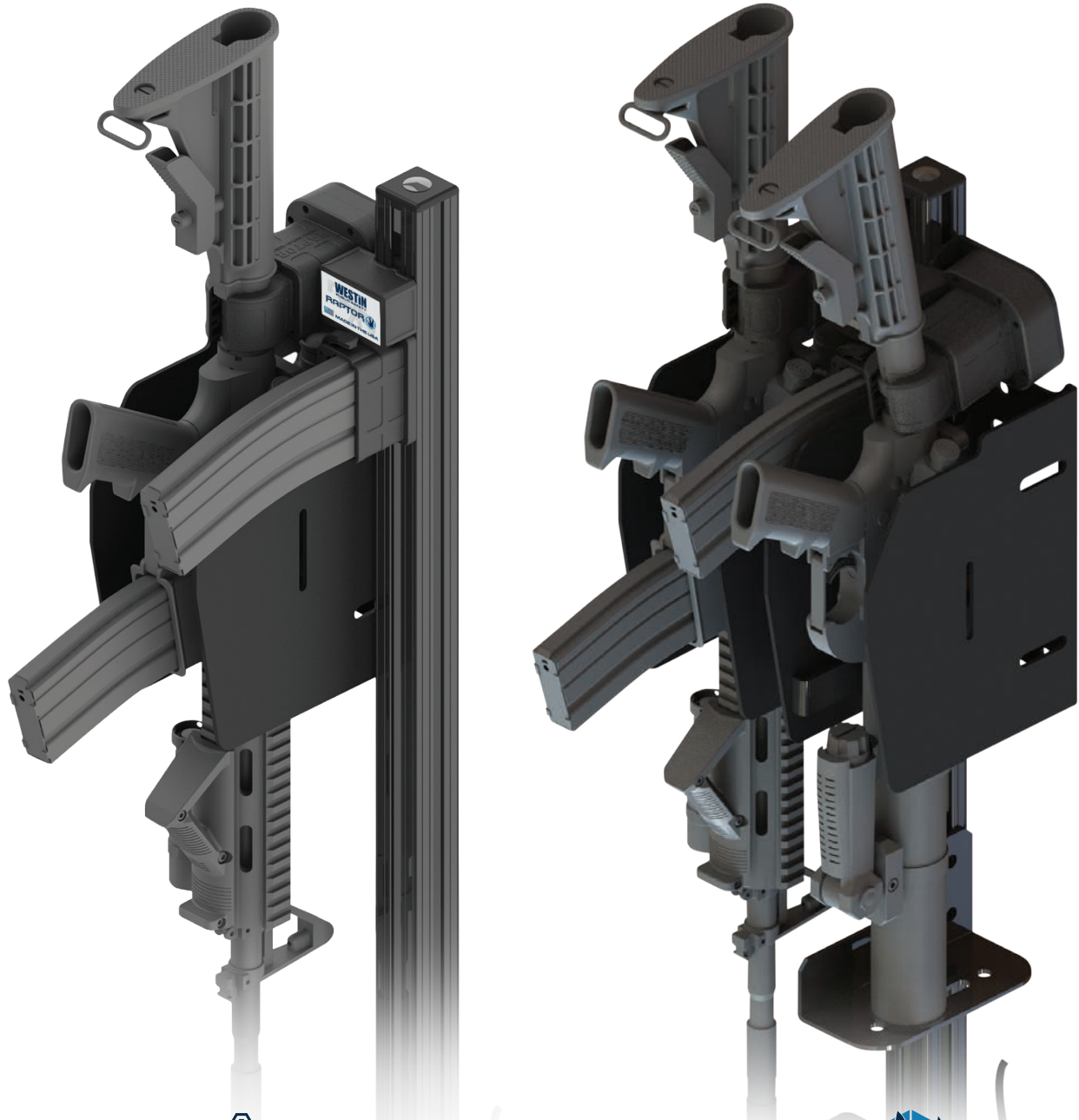


# WESTIN<sup>®</sup>

## PUBLIC SAFETY



**RAPTOR**  
SECURE DISPLAY ACCESS PRODUCTS



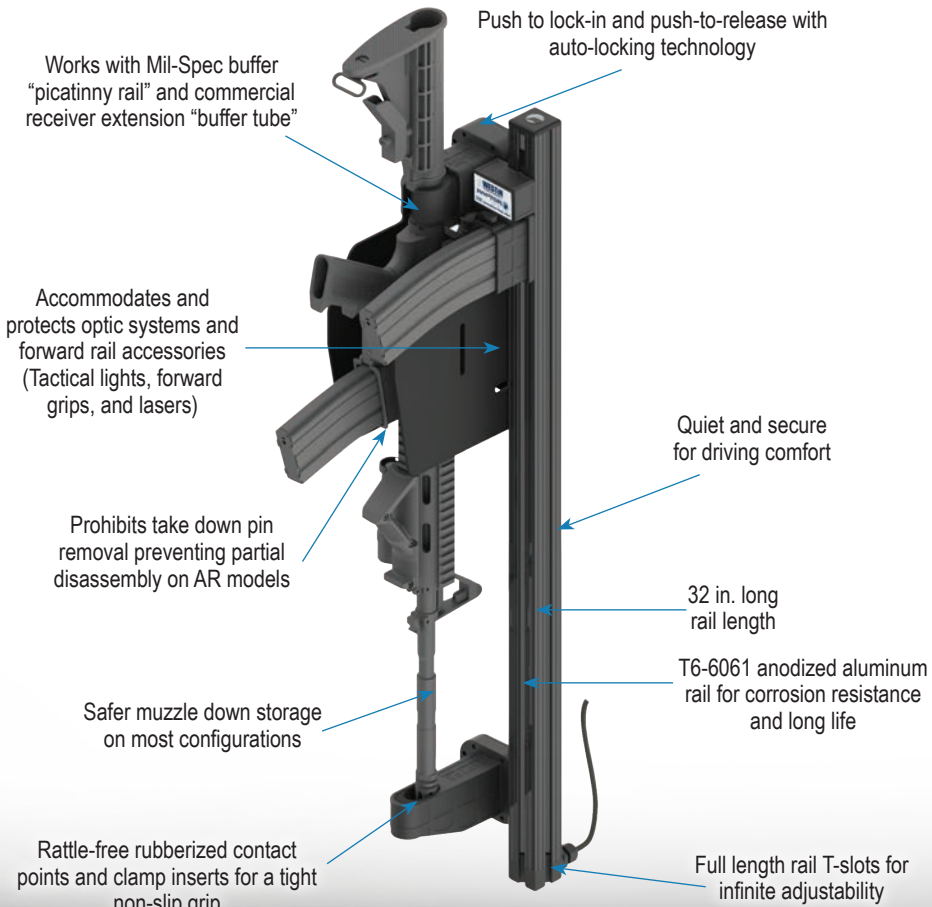
# GUN RACKS

# RAPTOR GUN RACKS - AN INNOVATIVE WAY TO MOUNT, DISPLAY, AND SAFELY ACCESS YOUR RIFLE

Westin Raptor Gun Racks are designed through actual officer feedback and are the only long gun rack that addresses noise, safety, weapon care, and usability all in one. Be ready in a moment's notice, with its breakthrough muzzle down configuration, and proprietary and patented auto-locking technology combined with rubberized racking points offering the ultimate in adjustable, secure weapons storage. Adjustable modular components are designed to accommodate accessories, optics, and user/weapon preferences. Addresses officer complaints found using competitor rifle racks and conforms to changes in department procedures and regulations. Designed and tested to exceed the requirements of the US Military Special Forces. Made in USA.

## AVAILABLE IN AR, 870, AND 40MM IN SINGLE AND DUAL MOUNT CONFIGURATIONS

- » Push-in to lock, push-in then pull to release
- » Electronic models can be activated by a user supplied siren controller or push button, or by one of our backup battery with key override kits (38-3006 or 38-3007 sold separately)
- » Rubberized contact points are secure and rattle free
- » Adjustable to any barrel length
- » Eliminates weapon damage found using competitor racks
- » Keyed models offer high security tamper-proof locks with two (2) barrel keys
- » Rollbar rack offered in non-locking for recreational use



## NAVIGATING YOUR RAPTOR GUN RACK SYSTEM OPTIONS

### MOUNTING OPTIONS

- » Electronic models can be activated by a user supplied siren controller or push button, or by one of our backup battery with key override kits (38-3006 or 38-3007 sold separately)
- » Buffer Mount - Clamps onto the firearm's buffer tube / receiver extension (the cylindrical tube at the rear of many AR-style rifles)
- » Picatinny Mount - Secures onto the firearm's MIL-STD-1913 picatinny rail — the standardized 20 mm rail sections found on most modern rifles

### LOCKING OPTIONS

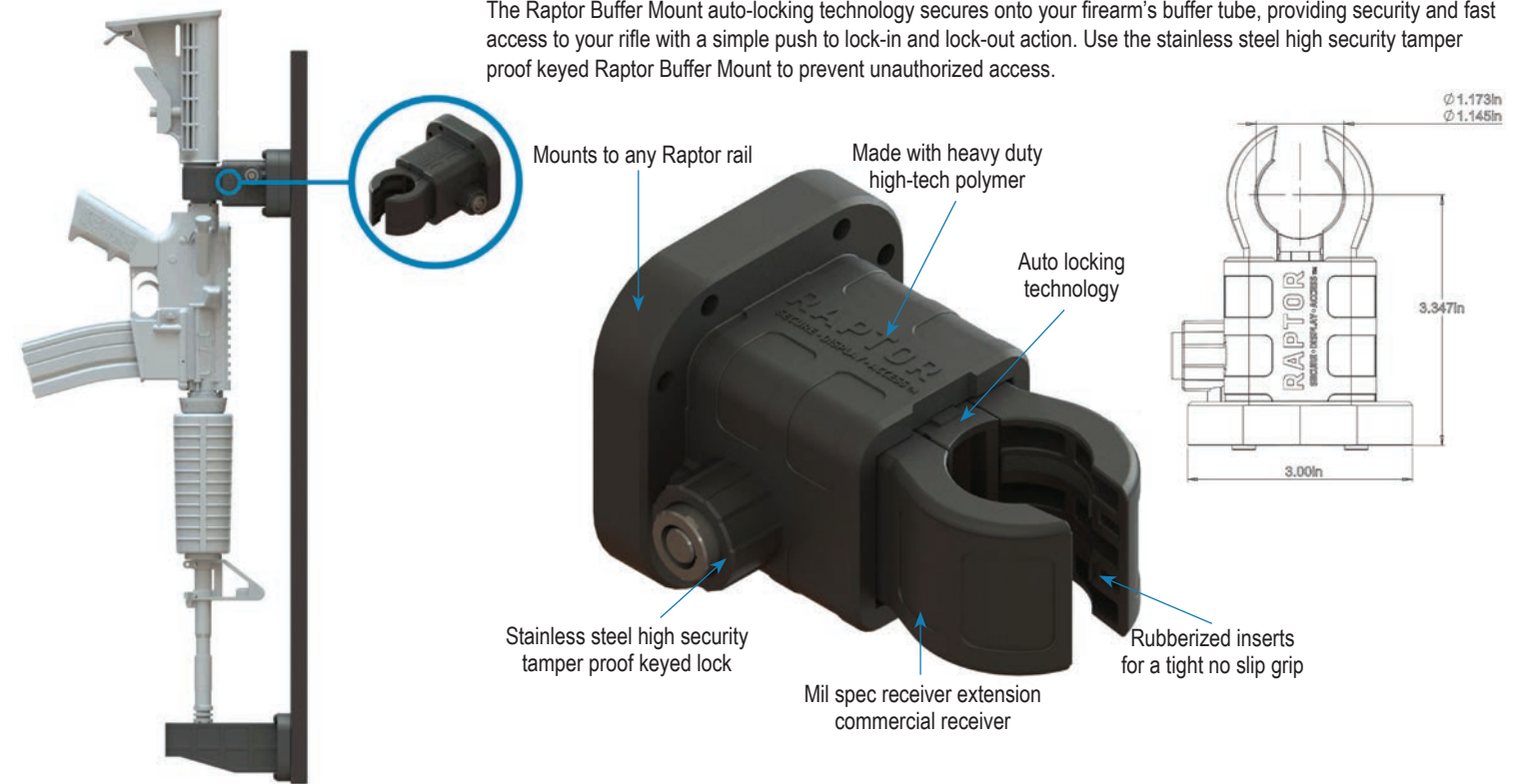
- » Electronic Lock - Features a electronic locking mechanism that automatically locks after seating and allows controlled release with controller/switch, enabling quick access without a physical key
- » Keyed Lock - Uses a tamper-proof key—you must use one of the included barrel keys to secure/release the weapon from the rack. Replacement or additional keys are available with registered users
- » Non-Keyed Roll Bar Mount - Uses a spring plunger or non-locking latch that holds the weapon mechanically without a keyed security lock, suited for recreational/off-road use where keyed security isn't needed.

### INSTALLATION & HARDWARE OPTIONS

- » Vertical, Flat Panel - Mount via flat-surface hardware (screws/bolts to partition or bulkhead) with no roll bar clamps—optimized for vertical surfaces inside vehicles
- » Floor Mount - Raptor floor mount system secures long guns to vehicle floor, providing stable, low-profile retention with durable construction and quick, controlled access for operational readiness.
- » Seat Rack - Raptor seat rack mount system attaches firearms or equipment to vehicle seats, offering robust retention, adjustable positioning, and easy access.
- » Roll Bar Mounts: Include brackets and hardware sized for specific roll bar diameters (e.g., 1.0", 1.25", 1.5", 1.625", 1.75"), clamping securely to tubular roll bars.

# RAPTOR BUFFER MOUNT

The Raptor Buffer Mount auto-locking technology secures onto your firearm's buffer tube, providing security and fast access to your rifle with a simple push to lock-in and lock-out action. Use the stainless steel high security tamper proof keyed Raptor Buffer Mount to prevent unauthorized access.



# RAPTOR PICATINNY MOUNT

The Raptor Picatinny Mount auto-locking technology secures onto your firearm's picatinny rail, providing security and fast access to your rifle with a simple push to lock-in and lock-out action. Use the stainless steel high security tamper proof keyed Raptor Picatinny Mount to prevent unauthorized access.



# SINGLE GUN RACKS

## A2 GRIP GUN RACK MOUNTS

The Raptor A2 Grip Gun Rack Mount securely holds both AR-style rifles and 40mm launchers with its versatile design. Featuring durable materials, it ensures a firm grip while allowing quick access. Its compact, freestanding structure makes the A2 ideal for convenient gun mounting, making it ideal for tactical and law enforcement use, combining reliability, ease of use, and protection in one robust mount. Made in USA.

- » Holds both AR-style rifles and 40mm launchers securely
- » Electronic lock with key override, can be activated by a user supplied siren controller or push button
- » Unique grip retention lock mechanism
- » Durable, high-quality materials for long-lasting use
- » Ideal for tactical, law enforcement, and military applications
- » Compatible with all accessories
- » Compact, mount anywhere design
- » Includes A2 grip to replace the stock grip



**AR**  
P/N: 38-13011



**40MM**  
P/N: 38-13011



**AR**  
P/N: 38-11011



**870**  
P/N: 38-14012



**40MM**  
P/N: 38-11013



**AR ROLLBAR MOUNT**  
P/N: 38-15011-R-100

### AR

- » Universal AR Compatibility - Designed for QUIET rattle free operation with rubberized weapon contact points, securely mounting and retaining a single AR-style long gun in a vehicle or fixed mount
- » Electronic models can be activated by a user supplied siren controller or push button, or by one of our backup battery with key override kits (38-3006 or 38-3007 sold separately)
- » Muzzle-Down Orientation - Configured in a muzzle-down orientation that enhances quick access while safely orienting the firearm downward
- » Heavy-Duty Construction - Built with anodized 6061-T6 aluminum rails and high-strength polymer/steel components to provide durable, corrosion resistant support.
- » Modular Mounting Features - Part of the Raptor modular rack family, allowing integration with brackets, rails, and other accessories for flexible mounting solutions in patrol vehicles or storage areas.

- » Heavy-Duty Rail Construction - Uses a full-length T-slot rail made from T6-6061 anodized aluminum for corrosion resistance and long service life, with adjustable positioning of mounting hardware
- » Can be activated by a user supplied siren controller or push button
- » Secure Clamping & Protection - Equipped with high-strength polymer and steel clamping components alongside rattle-free rubberized inserts to tightly grip the shotgun and protect it from movement or damage while mounted
- » Forend Interlock Safety - The mount is designed such that it blocks the shotgun's forend, which prevents chambering a round while the firearm is mounted, enhancing safety during transport/storage
- » Optics & Accessory Clearance - Configured to accommodate optics and forward accessories (e.g., lights, lasers) without interfering with the secure fit, maintaining quick access and weapon readiness

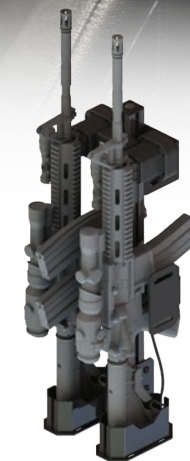
### 40MM

- » Muzzle-Down Launcher Orientation - Designed to hold a 40 mm launcher in a vertical muzzle-down position, improving safe handling and rapid deployment while reducing the risk of unintended forward movement during transit
- » Electronic models can be activated by a user supplied siren controller or push button, or by one of our backup battery with key override kits (38-3006 or 38-3007 sold separately)
- » Heavy-Duty Aluminum Rail - Mounted on a 32 in. T-6 6061 anodized aluminum rail with full-length T-slots, offering corrosion resistance, strength, and adjustable positioning of components for custom fits
- » Secure Clamping & Rattle-Free Inserts - Uses high-strength polymer and stainless-steel clamping hardware with rubberized, rattle-free inserts to firmly grip the launcher and protect finishes while minimizing noise and movement in vehicles
- » Chambering Safety & Accessory Clearance - The auto-locking buffer tube mount design prevents chambering a 40 mm round while the launcher is stowed, and the rack accommodates optics and forward accessories (lights, grips) without interfering with secure retention

# DUAL GUN RACKS



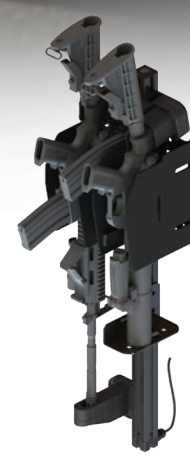
**MUZZLE DOWN AR DUAL GUN RACK - BUFFER MOUNT - ELECTRONIC LOCK**  
P/N: 38-11126



**MUZZLE UP AR DUAL GUN RACK, PICATINNY MOUNT - ELECTRONIC LOCK**  
P/N: 38-12226



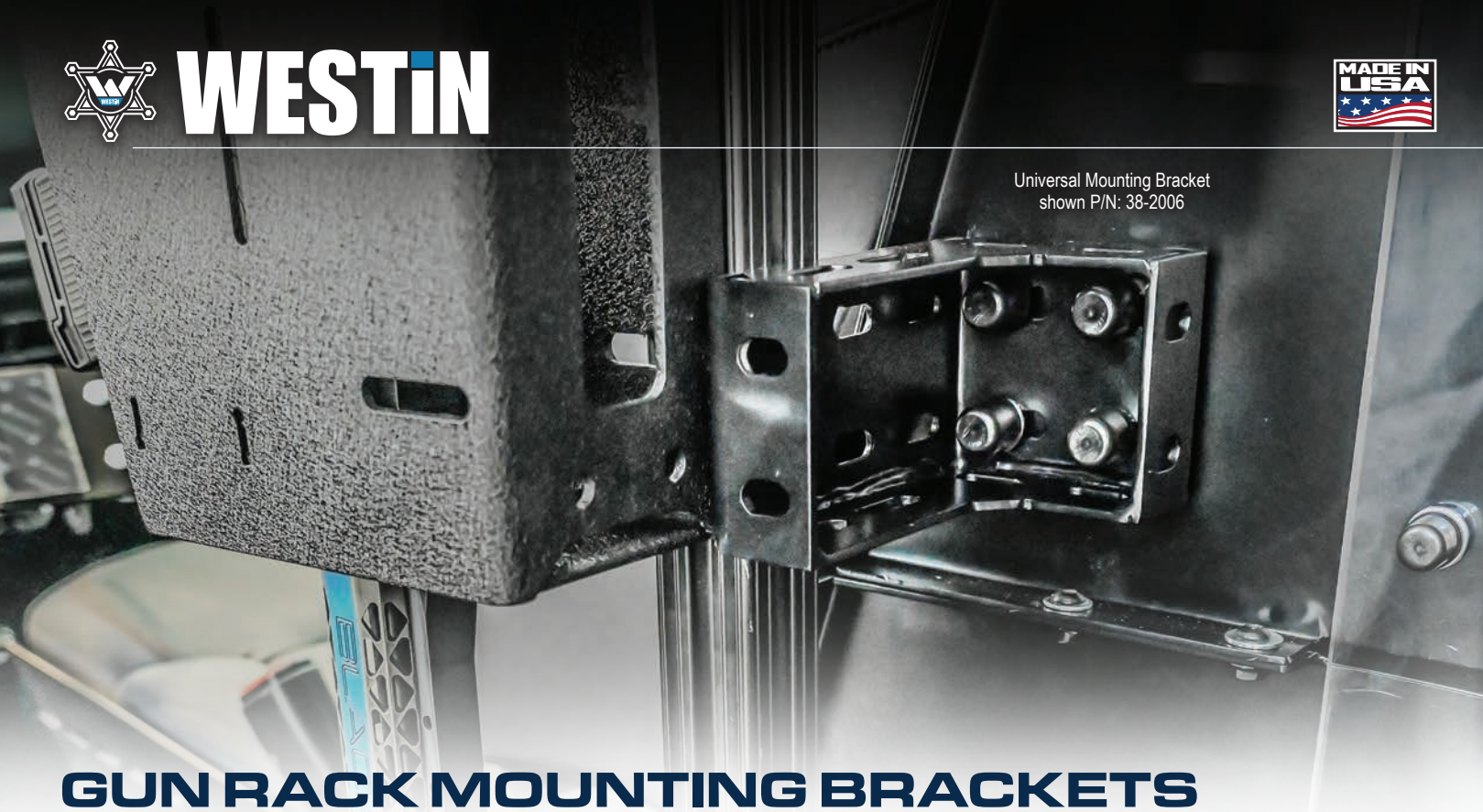
**MUZZLE DOWN AR AND MUZZLE UP 870 SHOTGUN DUAL GUN RACK - ELECTRONIC LOCK**  
P/N: 38-11424



**MUZZLE DOWN 40MM AND AR DUAL GUN RACK - ELECTRONIC LOCK**  
P/N: 38-11125

### APPLICATIONS

PART NUMBER	GUN TYPE	LOCK TYPE	CLAMP TYPE	DESCRIPTION
38-11011	AR	Electronic	Buffer Tube	Raptor Muzzle Down AR Single Gun Rack - Electronic Lock
38-15011	AR	Keyed	Buffer Tube	Raptor Muzzle Down AR Single Gun Rack - Keyed Lock
38-12011	AR	Electronic	Picatinny	Raptor Muzzle Up AR Single Gun Rack, Picatinny - Electronic Lock
38-16011	AR	Keyed	Picatinny	Raptor Muzzle Up AR Single Gun Rack, Picatinny - Keyed Lock
38-14012	870	Electronic	Receiver Lock	Raptor Muzzle Up 870 Shotgun Single Gun Rack - Electronic Lock
38-11013	40MM	Electronic	Buffer Tube	Raptor Muzzle Down 40MM Single Gun Rack - Electronic Lock
38-15011-R-100	AR	Keyed	Buffer Tube	Raptor AR Single Roll Bar Mount - Keyed Lock, 1.0 Dia. Bar
38-15011-R-125	AR	Keyed	Buffer Tube	Raptor AR Single Roll Bar Mount - Keyed Lock, 1.25 Dia. Bar
38-15011-R-150	AR	Keyed	Buffer Tube	Raptor AR Single Roll Bar Mount - Keyed Lock, 1.5 Dia. Bar
38-15011-R-162	AR	Keyed	Buffer Tube	Raptor AR Single Roll Bar Mount - Keyed Lock, 1.625 Dia. Bar
38-15011-R-175	AR	Keyed	Buffer Tube	Raptor AR Single Roll Bar Mount - Keyed Lock, 1.75 Dia. Bar
38-17011-R-100	AR	Non-Locking	Buffer Tube	Raptor AR Single Roll Bar Mount - Non-Locking, 1.0 Dia. Bar
38-17011-R-125	AR	Non-Locking	Buffer Tube	Raptor AR Single Roll Bar Mount - Non-Locking, 1.25 Dia. Bar
38-17011-R-150	AR	Non-Locking	Buffer Tube	Raptor AR Single Roll Bar Mount - Non-Locking, 1.5 Dia. Bar
38-17011-R-162	AR	Non-Locking	Buffer Tube	Raptor AR Single Roll Bar Mount - Non-Locking, 1.625 Dia. Bar
38-17011-R-175	AR	Non-Locking	Buffer Tube	Raptor AR Single Roll Bar Mount - Non-Locking, 1.75 Dia. Bar



Universal Mounting Bracket  
shown P/N: 38-2006

## GUN RACK MOUNTING BRACKETS

Compatible with all Raptor Gun Racks, Raptor gun rack mounting brackets offer versatility and variety to suit diverse gun rack and firearm storage needs. Designed to accommodate all mounting spaces, these brackets provide secure and adaptable mounting options. Their modular design ensures easy installation and flexibility, allowing users to customize configurations based on specific requirements. Powder coated black steel. Made in USA.



**1.5 IN. OFFSET PARTITION MOUNT BRACKET FOR RAPTOR DUEL GUN RACKS - PAIR**  
P/N: 38-2001



**15 DEG OFFSET PARTITION MOUNT BRACKET FOR RAPTOR SINGLE GUN RACKS - PAIR**  
P/N: 38-3008



**UNIVERSAL MOUNTING BRACKET FOR RAPTOR GUN RACKS - PAIR**  
P/N: 38-2006  
\*Works great with Westin Single Cell Partition



**WESTIN MODULAR PARTITION OVERHEAD MOUNT BRACKET**  
P/N: 38-2007



**90 DEG. MOUNTING BRACKET FOR RAPTOR GUN RACKS - PAIR**  
P/N: 38-2003



**45 DEG. MOUNTING BRACKET FOR RAPTOR GUN RACKS - PAIR**  
P/N: 38-2002



**ACCESSORY MOUNTING PLATE**  
» Made from .25 in. thick steel  
» Heavy-duty black powder coated  
» Supports 50lbs.  
» Versatile hole and slot pattern  
» Made in USA  
P/N: 38-3001

## MOUNTING PLATFORMS

### SEAT RACK MOUNT PLATFORM

The Raptor Seat Back Mount Kit securely positions Raptor Gun Racks behind vehicle seats, saving space while providing quick access, durable support, and easy installation with included hardware.

- » Vehicle seat-back installation
- » Space-saving design
- » Compatible with Raptor Gun Racks
- » Quick access positioning
- » Heavy-duty construction
- » Simple installation hardware included
- » Made in USA

P/N: 38-2005



### FLOOR MOUNT PLATFORM

The Raptor Freestanding Floor Mount Kit offers sturdy, adjustable support for Raptor Gun Racks, providing a secure, self-standing solution with heavy-duty steel construction and durable powder-coated protection.

- » Heavy-duty steel construction
- » Stable, self-supporting design
- » Compatible with Raptor Gun Racks
- » Easy installation
- » Adjustable height
- » Durable powder-coat finish
- » Made in USA

P/N: 38-2004



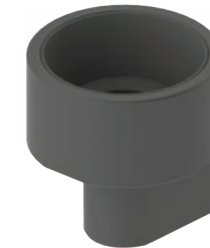
## GUN RACK ACCESSORIES



**AR-15 MAGAZINE HOLDER FOR RAPTOR GUN RACKS**

Durable, vehicle-mounted Raptor Mag Holder keeps magazines secure, organized, accessible, and ready for rapid deployment. Made in USA.

P/N: 38-3002



**SUPPRESSOR INSERT FOR BARREL BRACKET**

Raptor Suppressor Insert protects, secures, and stabilizes suppressors in barrel brackets during vehicle transport. Made in USA.

P/N: 38-3004



**40MM BARREL PLUG INSERT RAPTOR**

Raptor 40MM Barrel Plug Insert protects barrels from debris, ensures secure transport, and preserves operational readiness. Made in USA.

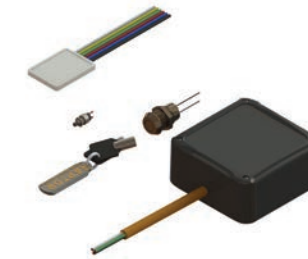
P/N: 38-3005



**RAPTOR MAGNETIC 40MM AMMO BANDOLIER**

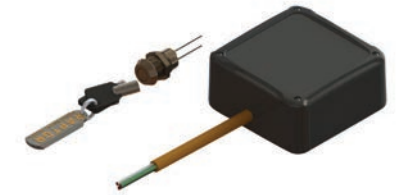
Raptor Magnetic 40MM Ammo Bandolier securely holds rounds, ensuring quick access, organization, and reliable field performance. Made in USA.

P/N: 38-3003



**BACKUP BATTERY WITH KEY OVERRIDE AND 10 SEC. TIMER FOR RAPTOR GUN LOCK**  
P/N: 38-3007

Backup Battery with Key Override powers Raptor Gun Lock, available with or without the 10-second timed release. Made in USA.



**BACKUP BATTERY WITH KEY OVERRIDE FOR RAPTOR GUN LOCK**  
P/N: 38-3006



**CUSTOMER SERVICE**  
**PH: 800. 345. 8476**  
**E-MAIL: WESTINPSD@WESTINAUTOMOTIVE.COM**  
**7AM-4PM PST**  
**MONDAY-FRIDAY**

**SEARCH #WESTINPUBLICSAFETY  
& STAY CONNECTED!**



**320 W. COVINA BLVD. SAN DIMAS, CA 91773**  
**060326**

**©2026 WESTIN PUBLIC SAFETY. PRINTED IN U.S.A.**

**WESTINPUBLICSAFETY.COM**



**For California Residents Only-Prop. 65 Warning**  
**WARNING:** Some products may contain chemicals such as DEHP, which  
can cause cancer, birth defects or other reproductive harm.  
For more info go to [www.p65warnings.ca.gov](http://www.p65warnings.ca.gov)