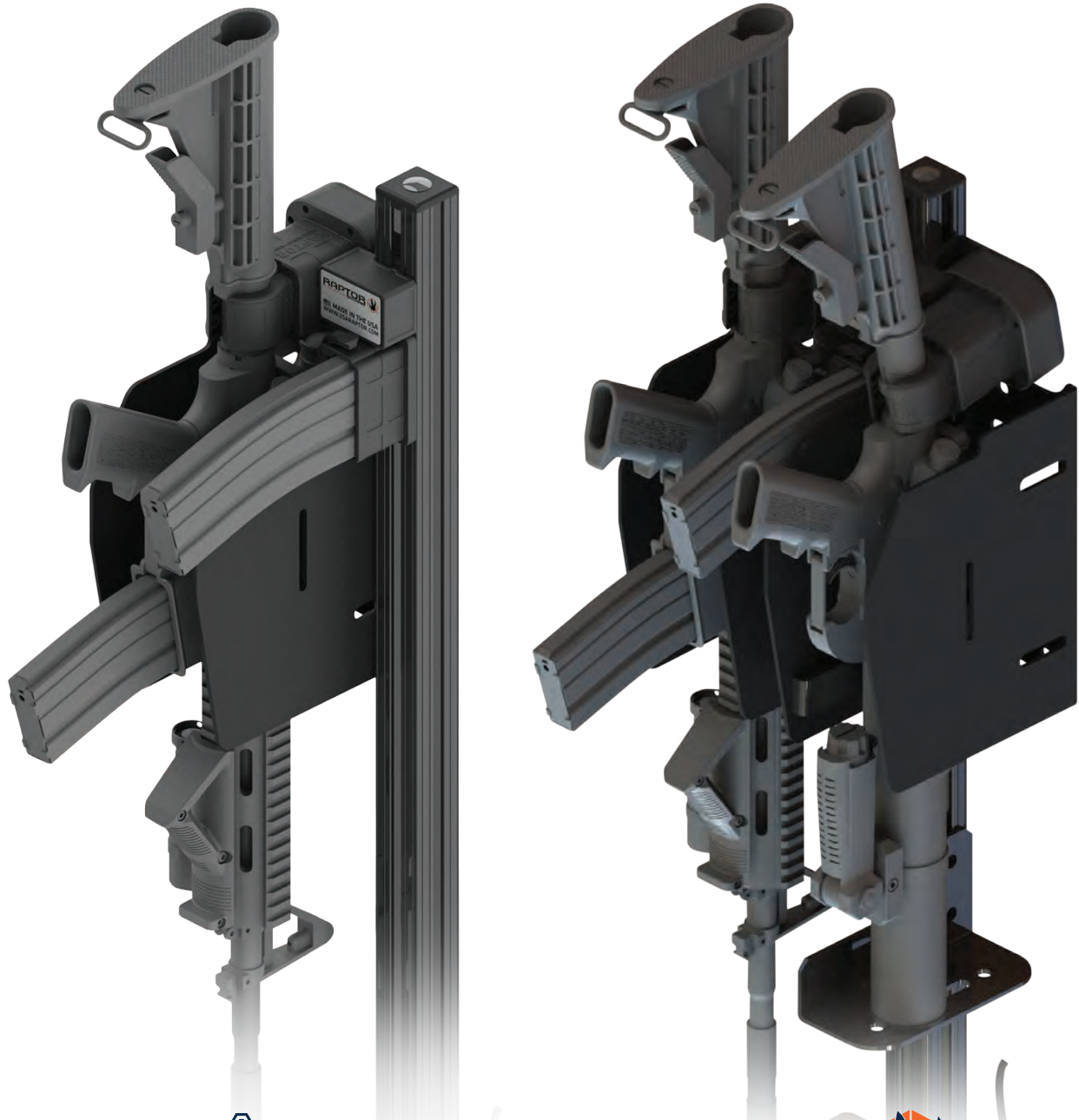


WESTIN[®]

PUBLIC SAFETY



RAPTOR
SECURE DISPLAY ACCESS PRODUCTS



GUN RACKS



RAPTOR GUN RACKS - AN INNOVATIVE WAY TO MOUNT, DISPLAY, AND SAFELY ACCESS YOUR RIFLE

Westin Raptor Gun Racks are designed through actual officer feedback and are the only long gun rack that addresses noise, safety, weapon care, and usability all in one. Be ready in a moment's notice, with its breakthrough muzzle down configuration, and proprietary and patented auto-locking technology combined with rubberized racking points offering the ultimate in adjustable, secure weapons storage. Adjustable modular components are designed to accommodate accessories, optics, and user/weapon preferences. Addresses officer complaints found using competitor rifle racks and conforms to changes in department procedures and regulations. Designed and tested to exceed the requirements of the US Military Special Forces. Made in USA.

COMPATIBLE WITH AR, 870, AND 40MM IN SINGLE AND DUAL MOUNT CONFIGURATIONS

- » Push-in to lock, push-in then pull to release
- » Rubberized contact points are secure and rattle free
- » Adjustable to any barrel length
- » Eliminates weapon damage found using competitor racks
- » Electronic models offer timed electronic lock allows 10 seconds for weapon removal after controller activation.
- » Keyed models offer high security tamper-proof locks with two (2) barrel keys
- » Rollbar rack offered in non-locking for recreational use

Works with Mil-Spec buffer "picatinny rail" and commercial receiver extension "buffer tube"

Accommodates and protects optic systems and forward rail accessories (Tactical lights, forward grips, and lasers)

Prohibits take down pin removal preventing partial disassembly on AR models

Safer muzzle down storage on most configurations

Rattle-free rubberized contact points and clamp inserts for a tight non-slip grip

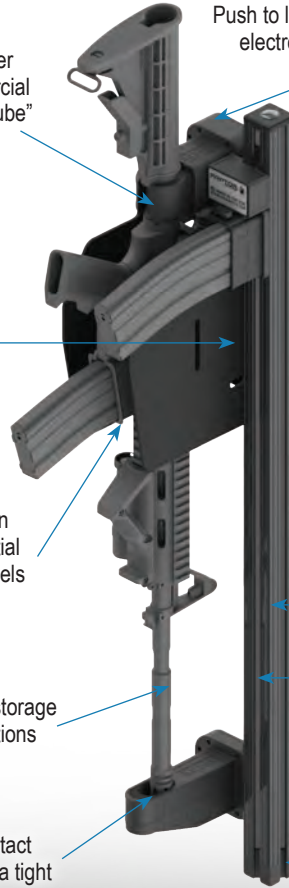
Push to lock-in and push-to-release with electronic auto-locking technology

Quiet and secure for driving comfort

32 in. long rail length

T6-6061 anodized aluminum rail for corrosion resistance and long life

Full length rail T-slots for infinite adjustability



NAVIGATING YOUR RAPTOR GUN RACK SYSTEM OPTIONS

MOUNTING OPTIONS

- » Buffer Mount - Clamps onto the firearm's buffer tube / receiver extension (the cylindrical tube at the rear of many AR-style rifles)
- » Picatinny Mount - Secures onto the firearm's MIL-STD-1913 picatinny rail — the standardized 20 mm rail sections found on most modern rifles

LOCKING OPTIONS

- » Electronic Lock - Features a timed electronic locking mechanism that automatically locks after seating and allows controlled release with an included controller/switch, enabling quick access without a physical key
- » Keyed Lock - Uses a tamper-proof key—you must use one of the included barrel keys to secure/release the weapon from the rack. Replacement or additional keys are available with registered users
- » Non-Keyed Roll Bar Mount - Uses a spring plunger or non-locking latch that holds the weapon mechanically without a keyed security lock, suited for recreational/off-road use where keyed security isn't needed.

INSTALLATION & HARDWARE OPTIONS

- » Vertical, Flat Panel - Mount via flat-surface hardware (screws/bolts to partition or bulkhead) with no roll bar clamps—optimized for vertical surfaces inside vehicles
- » Floor Mount - Raptor floor mount system secures long guns to vehicle floor, providing stable, low-profile retention with durable construction and quick, controlled access for operational readiness.
- » Seat Rack - Raptor seat rack mount system attaches firearms or equipment to vehicle seats, offering robust retention, adjustable positioning, and easy access.
- » Roll Bar Mounts: Include brackets and hardware sized for specific roll bar diameters (e.g., 1.0", 1.25", 1.5", 1.625", 1.75"), clamping securely to tubular roll bars.





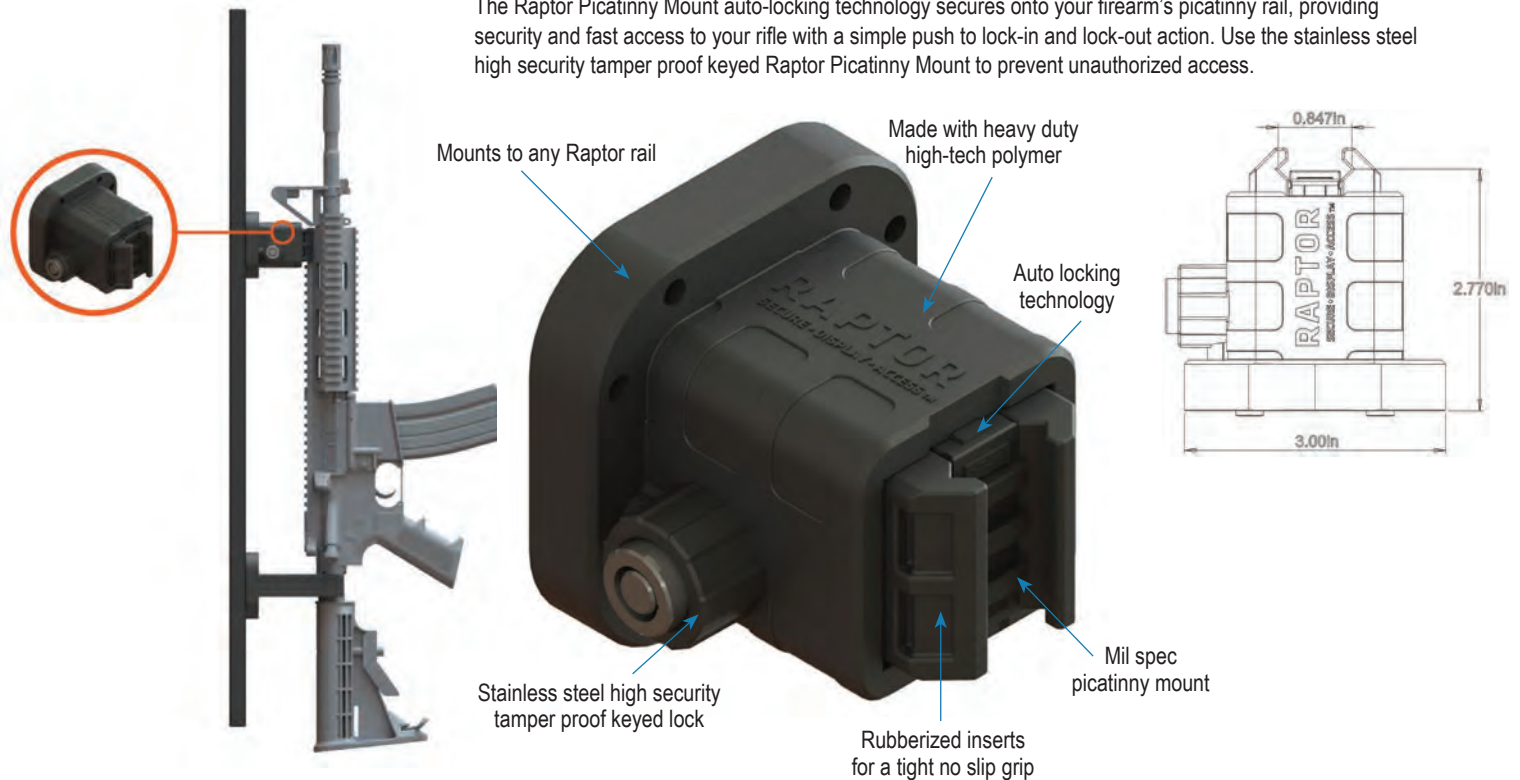
RAPTOR BUFFER MOUNT

The Raptor Buffer Mount auto-locking technology secures onto your firearm's buffer tube, providing security and fast access to your rifle with a simple push to lock-in and lock-out action. Use the stainless steel high security tamper proof keyed Raptor Buffer Mount to prevent unauthorized access.



RAPTOR PICATINNY MOUNT

The Raptor Picatinny Mount auto-locking technology secures onto your firearm's picatinny rail, providing security and fast access to your rifle with a simple push to lock-in and lock-out action. Use the stainless steel high security tamper proof keyed Raptor Picatinny Mount to prevent unauthorized access.





WESTIN



SINGLE GUN RACKS



AR
P/N: 38-11011



870
P/N: 38-14012



40MM
P/N: 38-11013



AR ROLLBAR MOUNT
P/N: 38-15011-R-100

AR

- » Universal AR Compatibility - Designed for QUIET rattle free operation with rubberized weapon contact points, securely mounting and retaining a single AR-style long gun in a vehicle or fixed mount
- » Electronic Locking Mechanism - Features an integrated timed electronic lock that secures the firearm until released via push button
- » Muzzle-Down Orientation - Configured in a muzzle-down orientation that enhances quick access while safely orienting the firearm downward
- » Heavy-Duty Construction - Built with anodized 6061-T6 aluminum rails and high-strength polymer/steel components to provide durable, corrosion resistant support.
- » Modular Mounting Features - Part of the Raptor modular rack family, allowing integration with brackets, rails, and other accessories for flexible mounting solutions in patrol vehicles or storage areas.

870

- » Muzzle-Up Orientation with Electronic Locking - The system holds the shotgun in a vertical muzzle-up position and includes a timed electronic lock that engages once the weapon is secured, allowing approx. 10 second window for removal after activation
- » Heavy-Duty Rail Construction - Uses a full-length T-slot rail made from T6-6061 anodized aluminum for corrosion resistance and long service life, with adjustable positioning of mounting hardware
- » Secure Clamping & Protection - Equipped with high-strength polymer and steel clamping components alongside rattle-free rubberized inserts to tightly grip the shotgun and protect it from movement or damage while mounted
- » Forend Interlock Safety - The mount is designed such that it blocks the shotgun's forend, which prevents chambering a round while the firearm is mounted, enhancing safety during transport/storage
- » Optics & Accessory Clearance - Configured to accommodate optics and forward accessories (e.g., lights, lasers) without interfering with the secure fit, maintaining quick access and weapon readiness

40MM

- » Muzzle-Down Launcher Orientation - Designed to hold a 40 mm launcher in a vertical muzzle-down position, improving safe handling and rapid deployment while reducing the risk of unintended forward movement during transit
- » Auto-Locking Electronic Lock - Incorporates Raptor's timed electronic locking mechanism that automatically secures the launcher in the rack and provides a short approx. 10 second authorized removal window after activation, enhancing access control
- » Heavy-Duty Aluminum Rail - Mounted on a 32 in. T-6 6061 anodized aluminum rail with full-length T-slots, offering corrosion resistance, strength, and adjustable positioning of components for custom fits
- » Secure Clamping & Rattle-Free Inserts - Uses high-strength polymer and stainless-steel clamping hardware with rubberized, rattle-free inserts to firmly grip the launcher and protect finishes while minimizing noise and movement in vehicles
- » Chambering Safety & Accessory Clearance - The auto-locking buffer tube mount design prevents chambering a 40 mm round while the launcher is stowed, and the rack accommodates optics and forward accessories (lights, grips) without interfering with secure retention



DUAL GUN RACKS



**MUZZLE DOWN AR
DUAL GUN RACK
BUFFER MOUNT -
ELECTRONIC LOCK**
P/N: 38-11126



**MUZZLE UP AR
DUAL GUN RACK,
PICATINNY MOUNT -
ELECTRONIC LOCK**
P/N: 38-12226



**MUZZLE DOWN AR
AND MUZZLE UP 870
SHOTGUN DUAL
GUN RACK -
ELECTRONIC LOCK**
P/N: 38-11424



**MUZZLE DOWN
40MM AND AR
DUAL GUN RACK -
ELECTRONIC LOCK**
P/N: 38-11125

APPLICATIONS

PART NUMBER	GUN TYPE	LOCK TYPE	CLAMP TYPE	DESCRIPTION
38-11011	AR	Electronic	Buffer Tube	Raptor Muzzle Down AR Single Gun Rack - Electronic Lock
38-15011	AR	Keyed	Buffer Tube	Raptor Muzzle Down AR Single Gun Rack - Keyed Lock
38-12011	AR	Electronic	Picatinny	Raptor Muzzle Up AR Single Gun Rack, Picatinny - Electronic Lock
38-16011	AR	Keyed	Picatinny	Raptor Muzzle Up AR Single Gun Rack, Picatinny - Keyed Lock
38-14012	870	Electronic	Receiver Lock	Raptor Muzzle Up 870 Shotgun Single Gun Rack - Electronic Lock
38-11013	40MM	Electronic	Buffer Tube	Raptor Muzzle Down 40MM Single Gun Rack - Electronic Lock
38-15011-R-100	AR	Keyed	Buffer Tube	Raptor AR Single Roll Bar Mount - Keyed Lock, 1.0 Dia. Bar
38-15011-R-125	AR	Keyed	Buffer Tube	Raptor AR Single Roll Bar Mount - Keyed Lock, 1.25 Dia. Bar
38-15011-R-150	AR	Keyed	Buffer Tube	Raptor AR Single Roll Bar Mount - Keyed Lock, 1.5 Dia. Bar
38-15011-R-162	AR	Keyed	Buffer Tube	Raptor AR Single Roll Bar Mount - Keyed Lock, 1.625 Dia. Bar
38-15011-R-175	AR	Keyed	Buffer Tube	Raptor AR Single Roll Bar Mount - Keyed Lock, 1.75 Dia. Bar
38-17011-R-100	AR	Non-Locking	Buffer Tube	Raptor AR Single Roll Bar Mount - Non-Locking, 1.0 Dia. Bar
38-17011-R-125	AR	Non-Locking	Buffer Tube	Raptor AR Single Roll Bar Mount - Non-Locking, 1.25 Dia. Bar
38-17011-R-150	AR	Non-Locking	Buffer Tube	Raptor AR Single Roll Bar Mount - Non-Locking, 1.5 Dia. Bar
38-17011-R-162	AR	Non-Locking	Buffer Tube	Raptor AR Single Roll Bar Mount - Non-Locking, 1.625 Dia. Bar
38-17011-R-175	AR	Non-Locking	Buffer Tube	Raptor AR Single Roll Bar Mount - Non-Locking, 1.75 Dia. Bar



A2 GRIP GUN RACK MOUNTS

The Raptor A2 Grip Gun Rack Mount securely holds both AR-style rifles and 40mm launchers with its versatile design. Featuring durable materials, it ensures a firm grip while allowing quick access. Its compact, freestanding structure makes the A2 ideal for convenient gun mounting, making it ideal for tactical and law enforcement use, combining reliability, ease of use, and protection in one robust mount. Made in USA.

- » Holds both AR-style rifles and 40mm launchers securely
- » Unique grip retention lock mechanism
- » Electronically locks 10 seconds after docking the weapon
- » Durable, high-quality materials for long-lasting use
- » Ideal for tactical, law enforcement, and military applications
- » Compatible with all accessories
- » Compact, mount anywhere design
- » Includes A2 grip to replace the stock grip



AR
P/N: 38-13011



40MM
P/N: 38-13011

GUN RACK MOUNTING BRACKETS

Compatible with all Raptor Gun Racks, Raptor gun rack mounting brackets offer versatility and variety to suit diverse gun rack and firearm storage needs. Designed to accommodate all mounting spaces, these brackets provide secure and adaptable mounting options. Their modular design ensures easy installation and flexibility, allowing users to customize configurations based on specific requirements. Powder coated black steel. Made in USA.



1.5 IN. OFFSET PARTITION MOUNT BRACKET FOR RAPTOR GUN RACKS - PAIR
P/N: 38-2001



15 DEG OFFSET PARTITION MOUNT BRACKET FOR RAPTOR SINGLE GUN RACKS - PAIR
P/N: 38-3008



UNIVERSAL MOUNTING BRACKET FOR RAPTOR GUN RACKS - PAIR
P/N: 38-2006



WESTIN MODULAR PARTITION OVERHEAD MOUNT BRACKET
P/N: 38-2007



90 DEG. MOUNTING BRACKET FOR RAPTOR GUN RACKS - PAIR
P/N: 38-2003



45 DEG. MOUNTING BRACKET FOR RAPTOR GUN RACKS - PAIR
P/N: 38-2002



ACCESSORY MOUNTING PLATE

- » Made from .25 in. thick steel
 - » Heavy-duty black powder coated
 - » Supports 50lbs.
 - » Versatile hole and slot pattern
 - » Made in USA
- P/N: 38-3001**



MOUNTING PLATFORMS

SEAT RACK MOUNT PLATFORM

The Raptor Seat Back Mount Kit securely positions Raptor Gun Racks behind vehicle seats, saving space while providing quick access, durable support, and easy installation with included hardware.

- » Vehicle seat-back installation
- » Space-saving design
- » Compatible with Raptor Gun Racks
- » Quick access positioning
- » Heavy-duty construction
- » Simple installation hardware included
- » Made in USA

P/N: 38-2005



FLOOR MOUNT PLATFORM

The Raptor Freestanding Floor Mount Kit offers sturdy, adjustable support for Raptor Gun Racks, providing a secure, self-standing solution with heavy-duty steel construction and durable powder-coated protection.

- » Heavy-duty steel construction
- » Stable, self-supporting design
- » Compatible with Raptor Gun Racks
- » Easy installation
- » Adjustable height
- » Durable powder-coat finish
- » Made in USA

P/N: 38-2004



GUN RACK ACCESSORIES



AR-15 MAGAZINE HOLDER FOR RAPTOR GUN RACKS

Durable, vehicle-mounted Raptor Mag Holder keeps magazines secure, organized, accessible, and ready for rapid deployment. Made in USA.

P/N: 38-3002



SUPPRESSOR INSERT FOR BARREL BRACKET

Raptor Suppressor Insert protects, secures, and stabilizes suppressors in barrel brackets during vehicle transport. Made in USA.

P/N: 38-3004



40MM BARREL PLUG INSERT RAPTOR

Raptor 40MM Barrel Plug Insert protects barrels from debris, ensures secure transport, and preserves operational readiness. Made in USA.

P/N: 38-3005



RAPTOR MAGNETIC 40MM AMMO BANDOLIER

P/N: 38-3003

Raptor Magnetic 40MM Ammo Bandolier securely holds rounds, ensuring quick access, organization, and reliable field performance. Made in USA.

P/N: 38-3003



BACKUP BATTERY WITH KEY OVERRIDE AND 10 SEC. TIMER FOR RAPTOR GUN LOCK

P/N: 38-3007

Backup Battery with Key Override powers Raptor Gun Lock, available with or without the 10-second timed release. Made in USA.



BACKUP BATTERY WITH KEY OVERRIDE FOR RAPTOR GUN LOCK

P/N: 38-3006



CUSTOMER SERVICE
PH: 800. 345. 8476
E-MAIL: WESTINPSD@WESTINAUTOMOTIVE.COM
7AM-4PM PST
MONDAY-FRIDAY

**SEARCH #WESTINPUBLICSAFETY
& STAY CONNECTED!**



320 W. COVINA BLVD. SAN DIMAS, CA 91773
012626

©2026 WESTIN PUBLIC SAFETY. PRINTED IN U.S.A.

WESTINPUBLICSAFETY.COM



For California Residents Only-Prop. 65 Warning
WARNING: Some products may contain chemicals such as DEHP, which
can cause cancer, birth defects or other reproductive harm.
For more info go to www.p65warnings.ca.gov